

**JENZ**

EVERYDAY PERFORMANCE

GB

NO

FI

DK

SE

SE

DK

FI

NO

GB









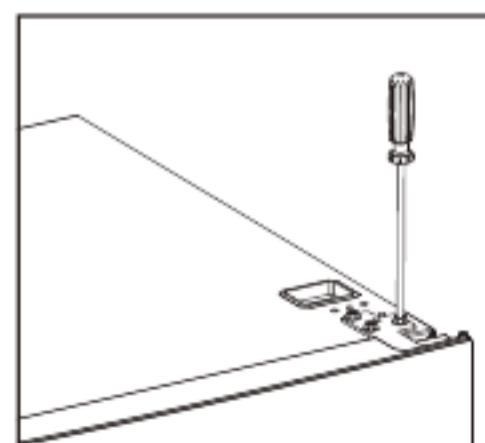
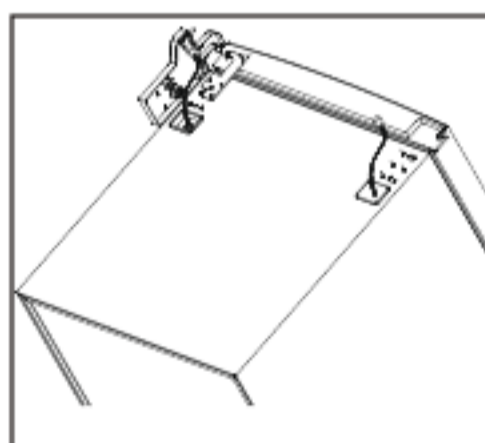
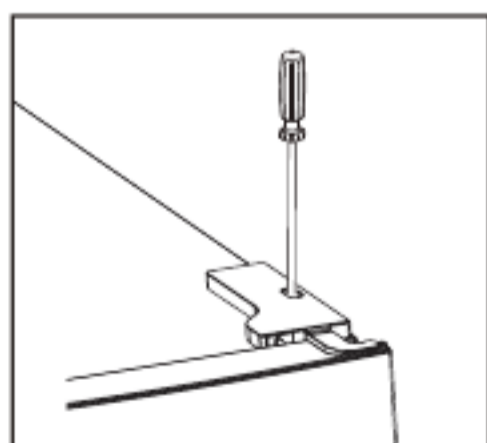
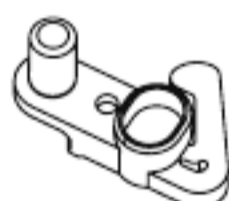
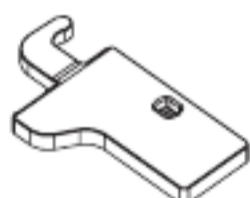


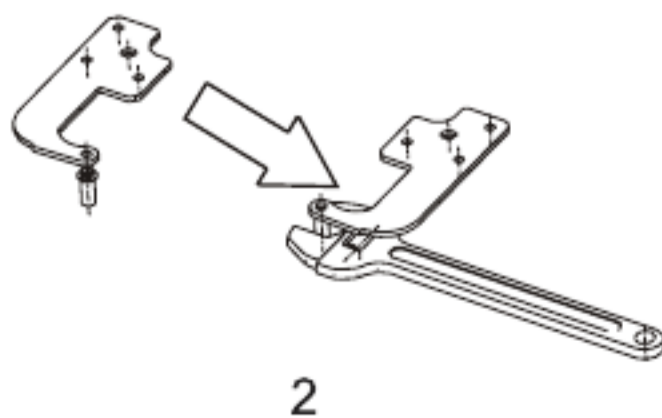
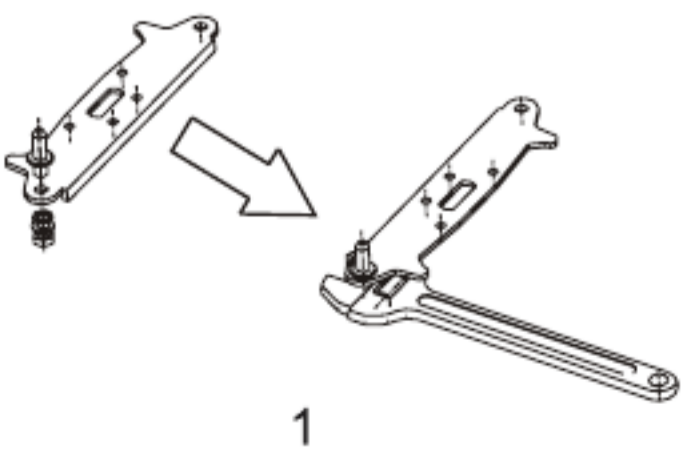
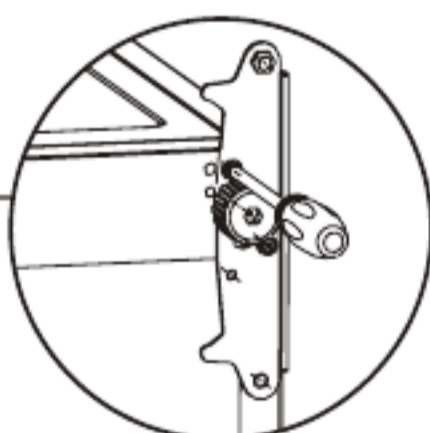
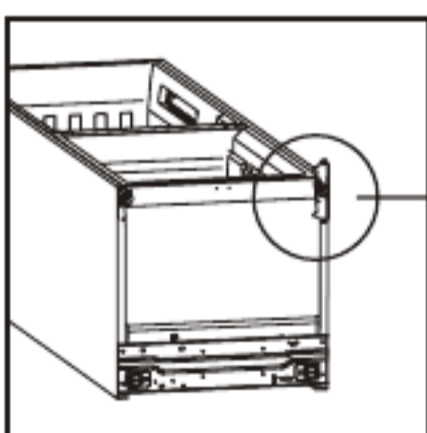
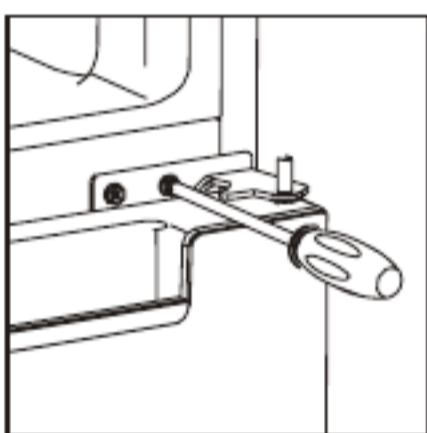
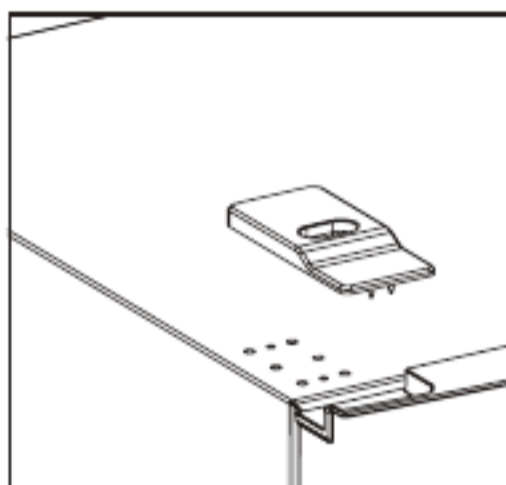
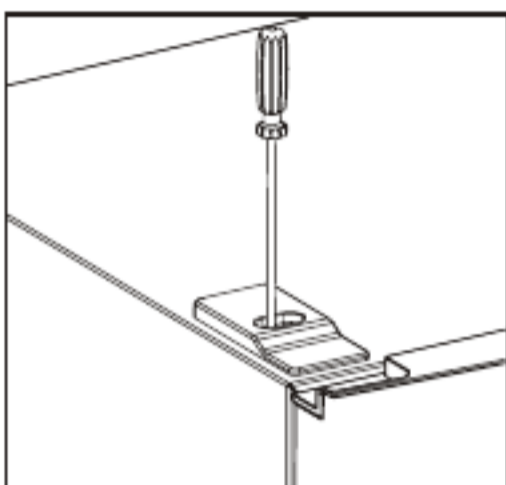
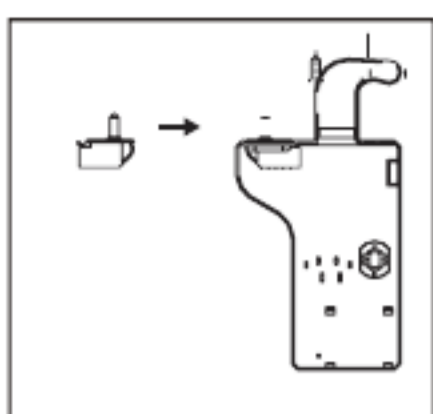
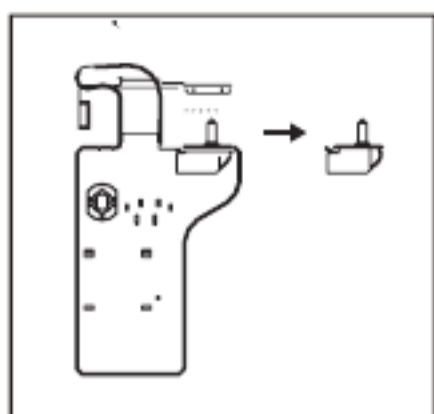


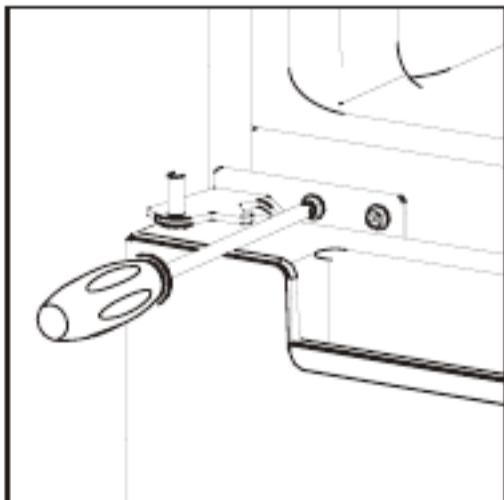
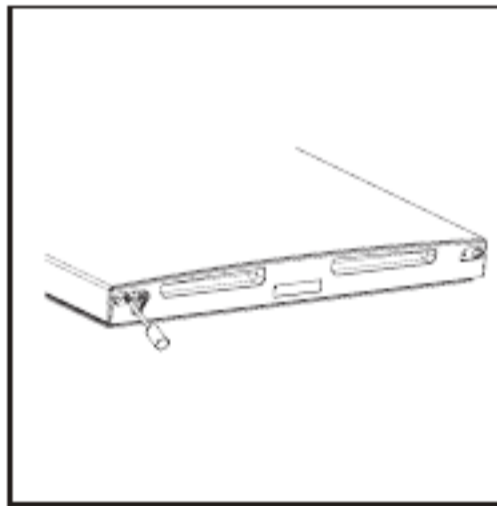
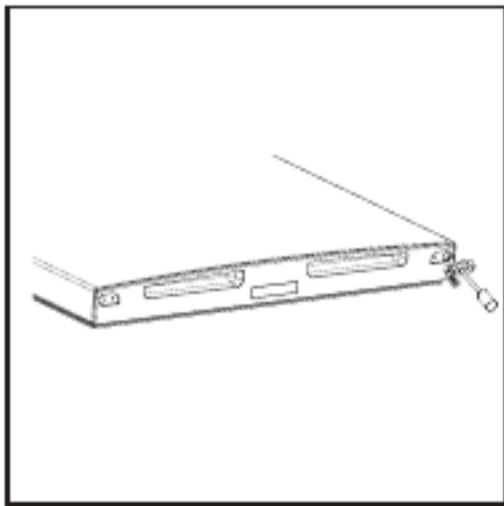
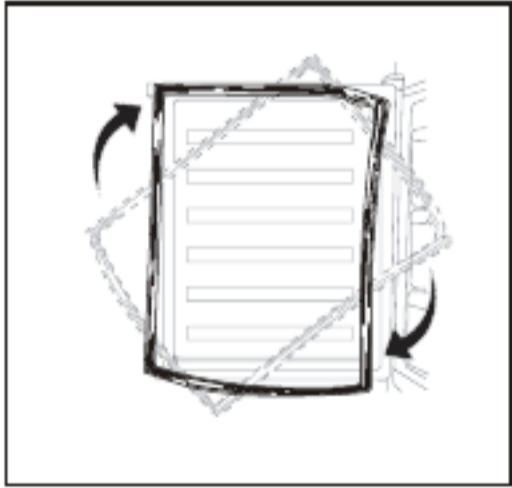
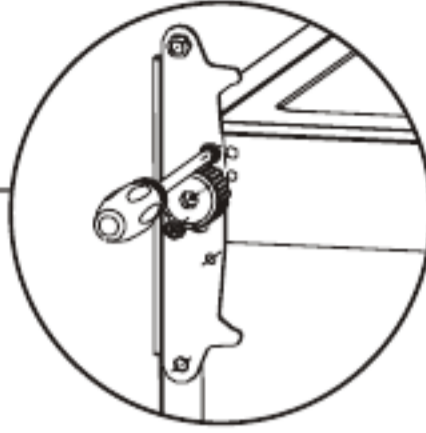
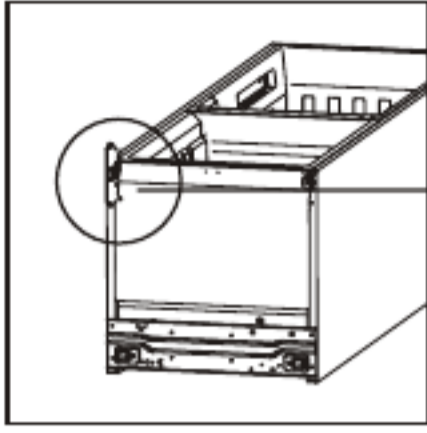
Warning!

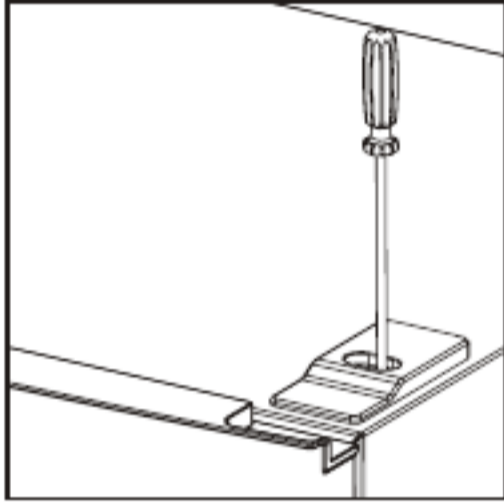
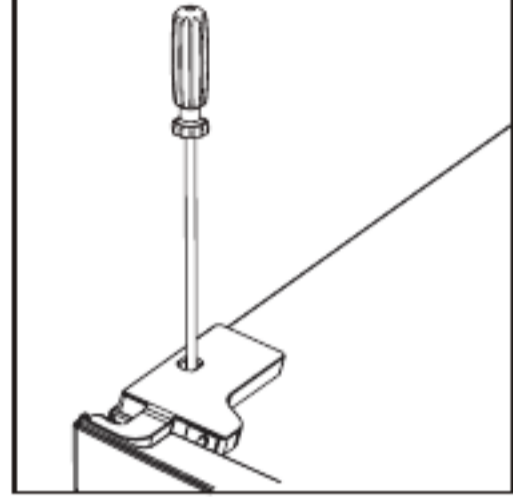
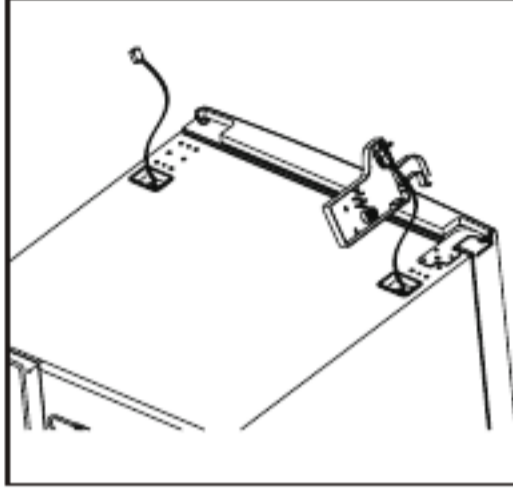
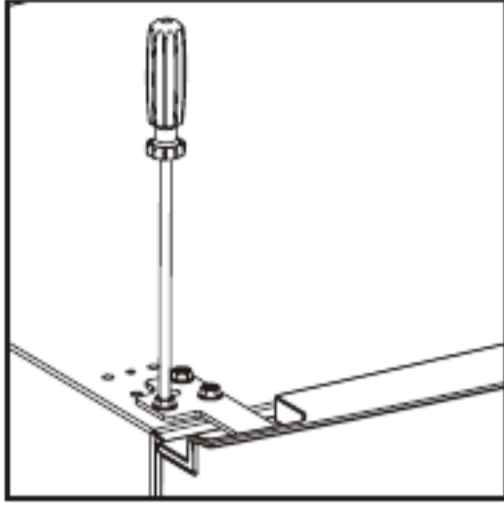
Electrical connection

Door Reversibility



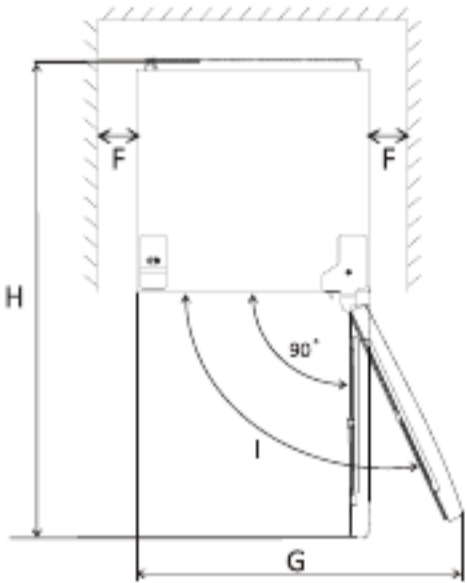
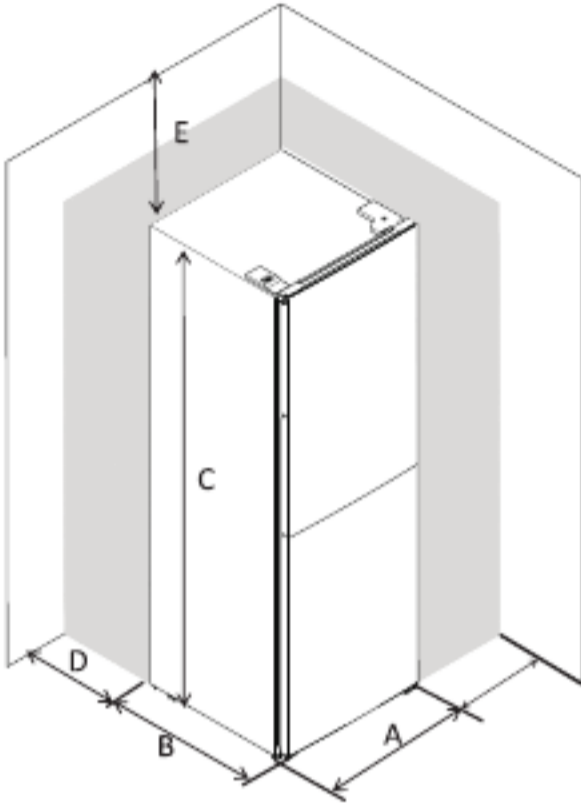


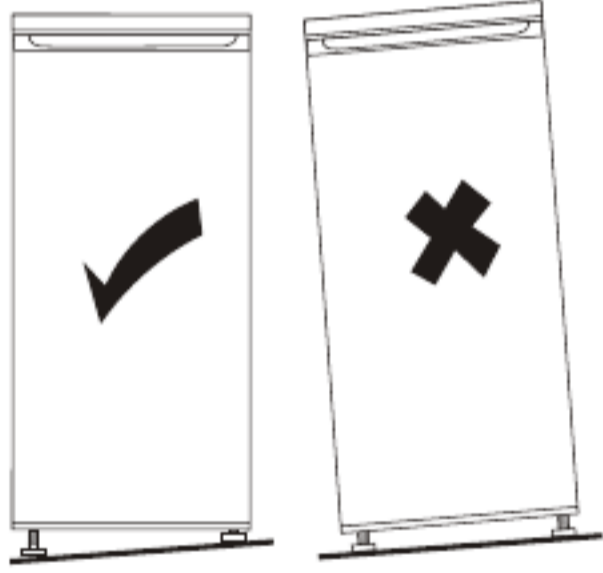
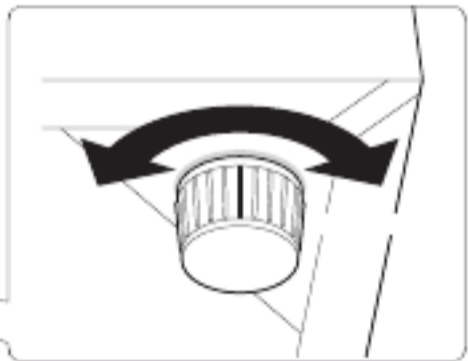


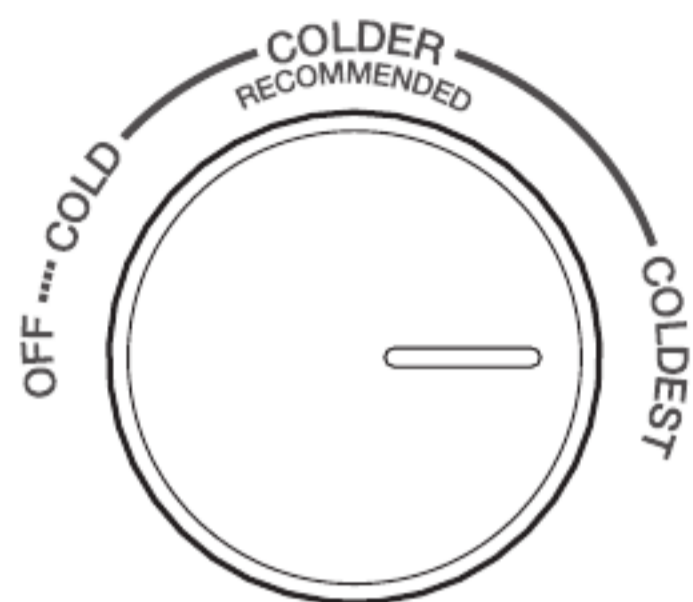


# Space Requirement

- 
- 



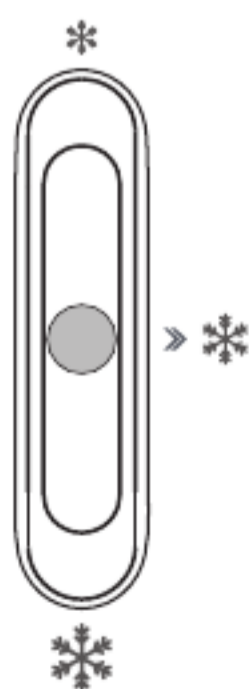





- 
- 
- 
- 

## 2. Temperature setting of the Freezer Compartment

### FREEZER CONTROL



- 
- 
- 
- 

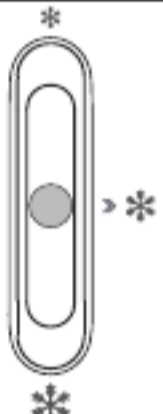
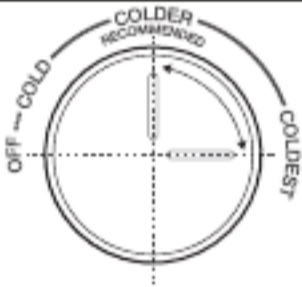
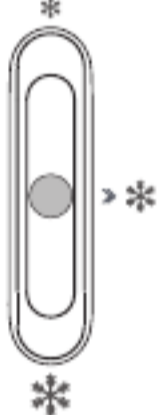
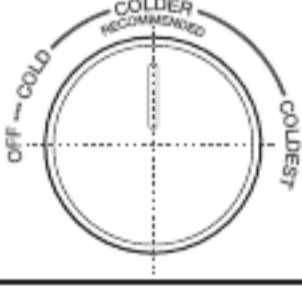
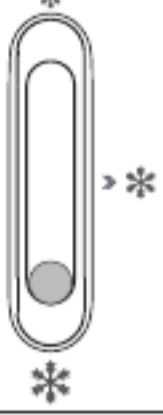

\*

❄️

❄️

❄️

### 3. Temperature setting recommendation

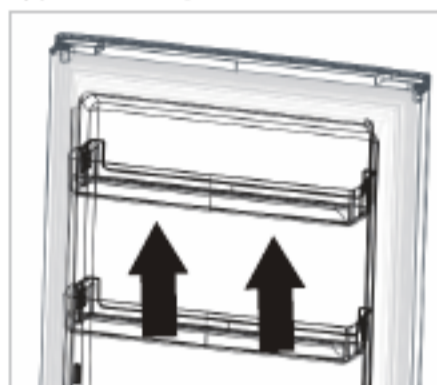
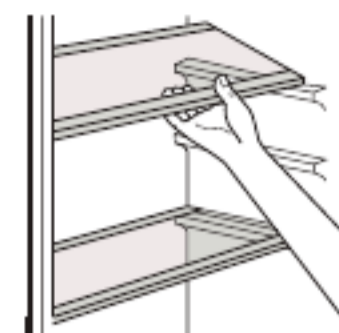
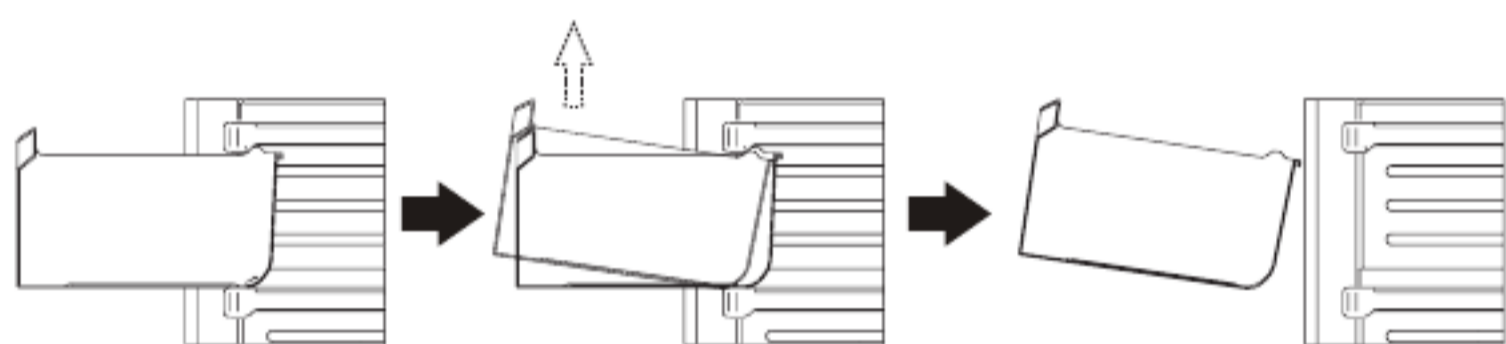
		*	
		*	
		❄️	

- 
- 

❄️



- 
- 
- 
-













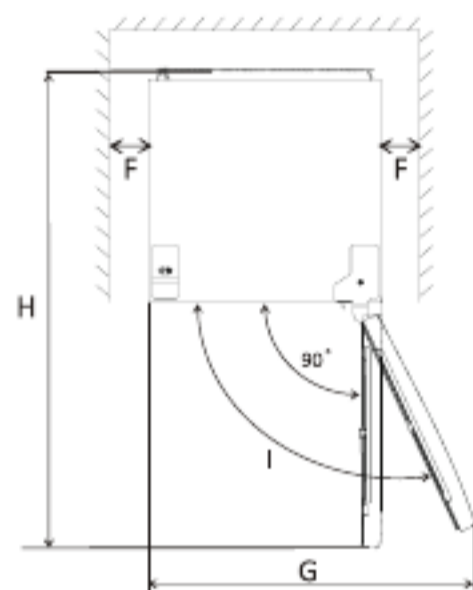
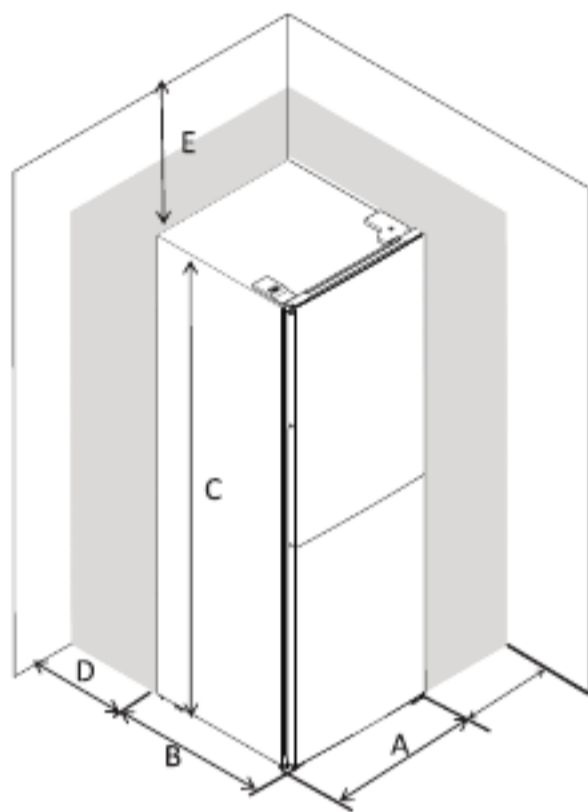


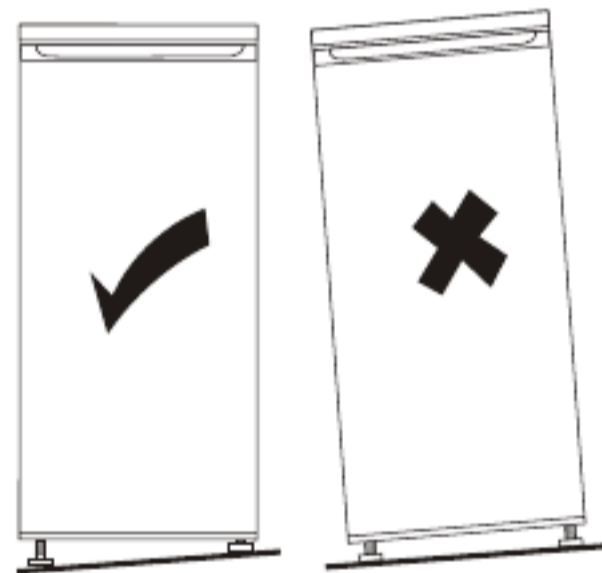
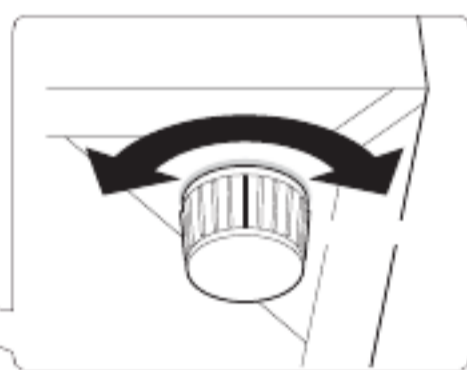


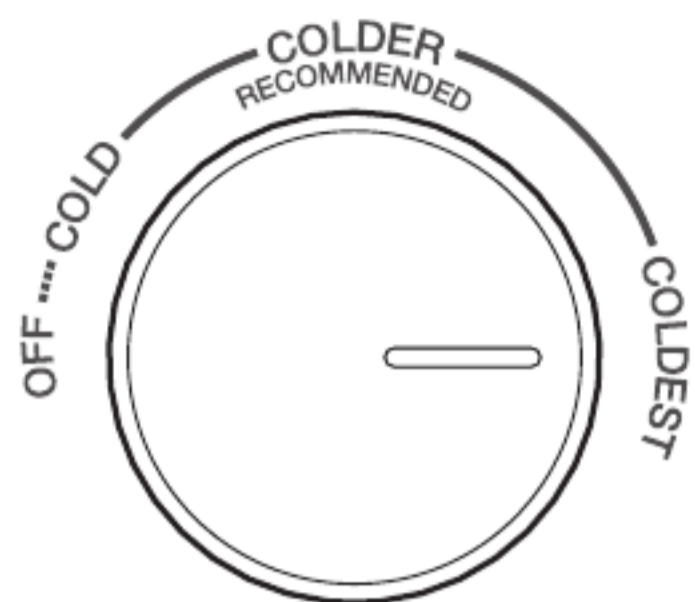






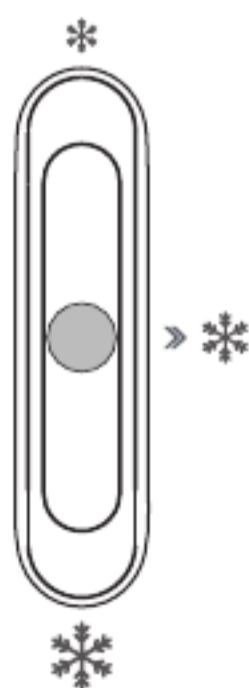


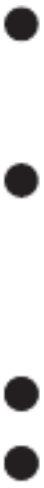




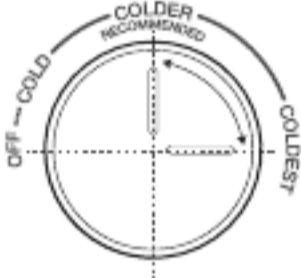

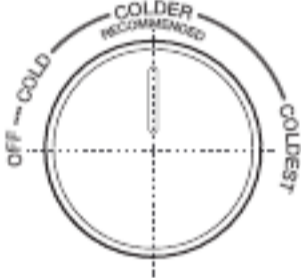

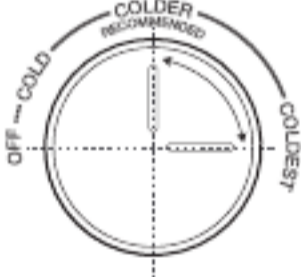


- 
- 
- 
- 

### FREEZER CONTROL





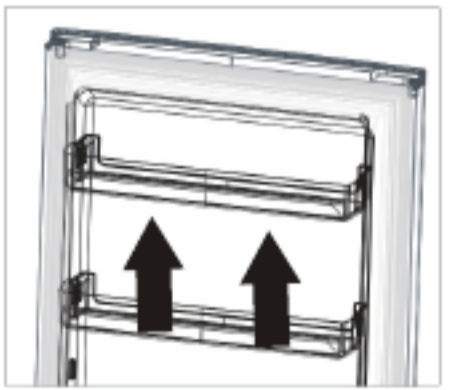
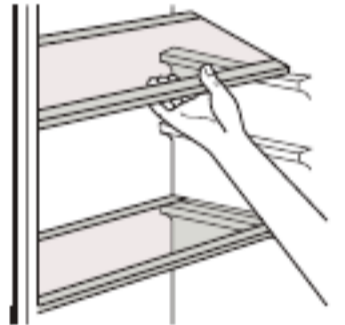
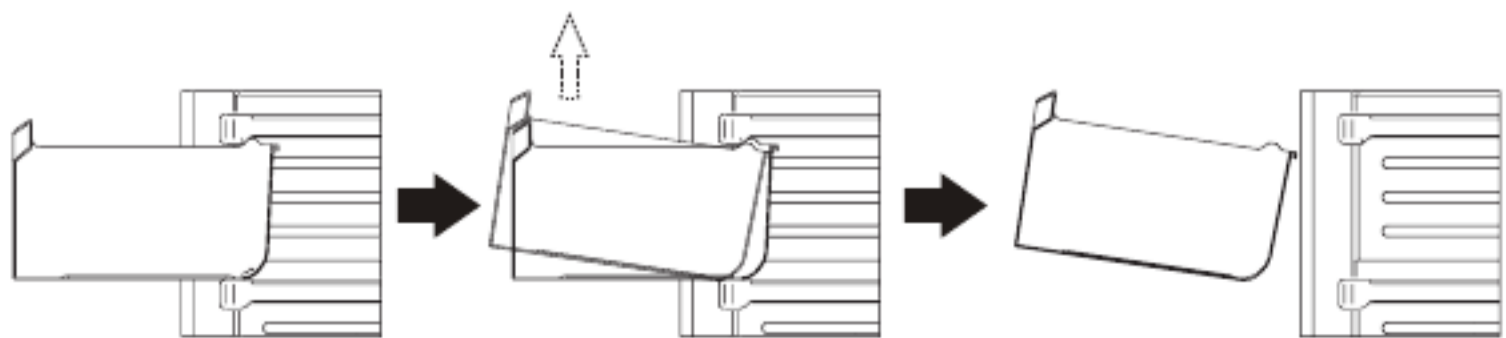


NO

•

•

•





- 
- 
- 
- 
- 
- 
- 

- 
- 
- 
-







NO




NO

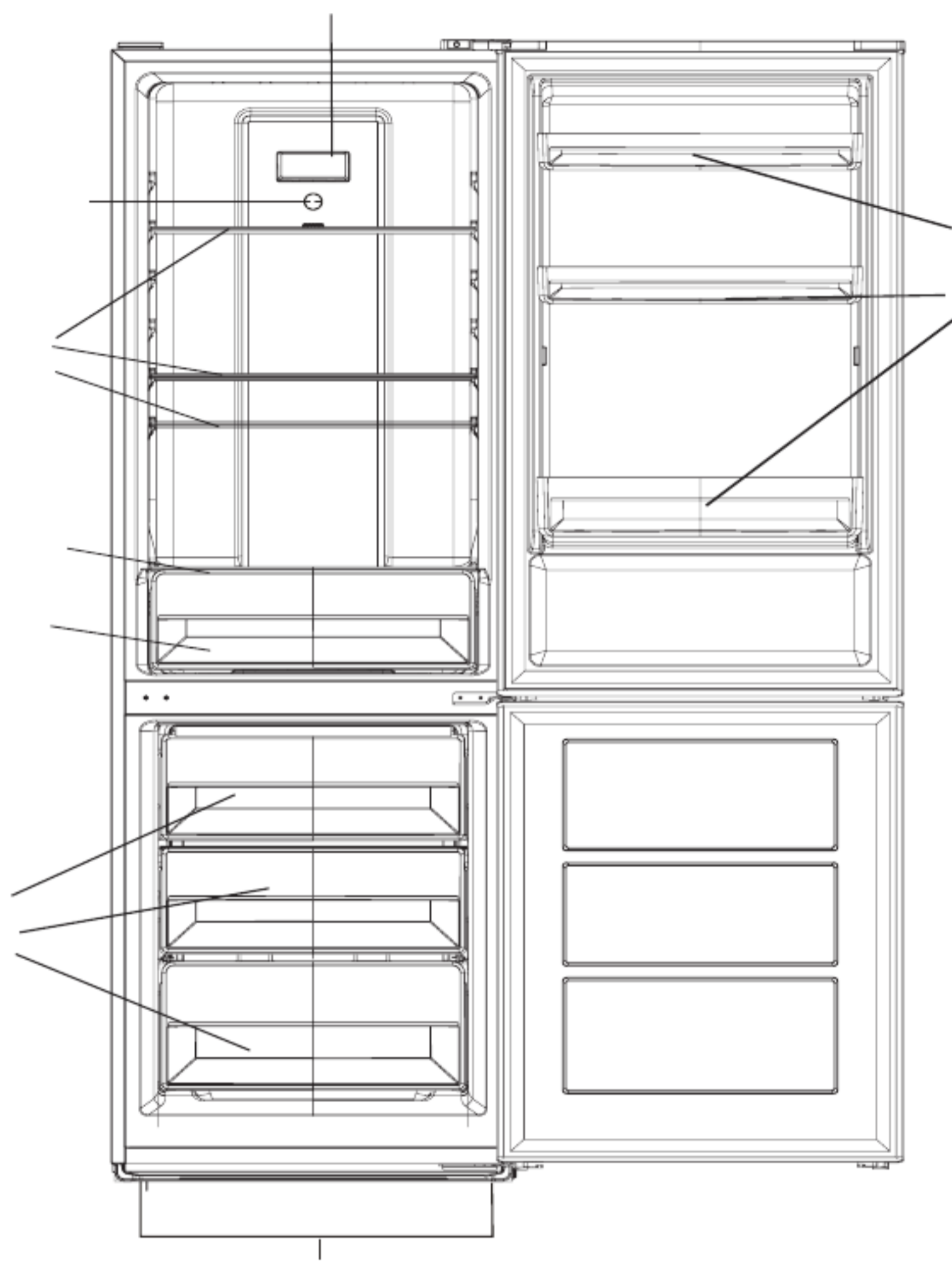












- 
- 
- 
- 
- 

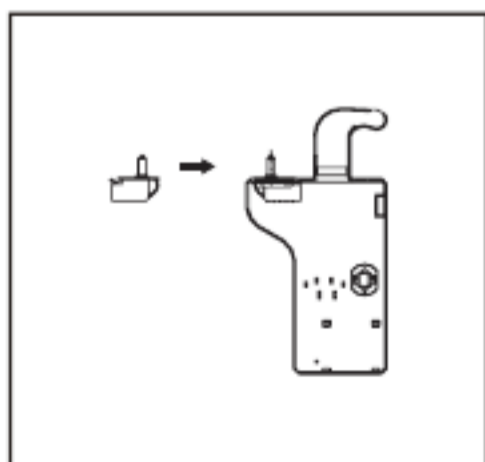
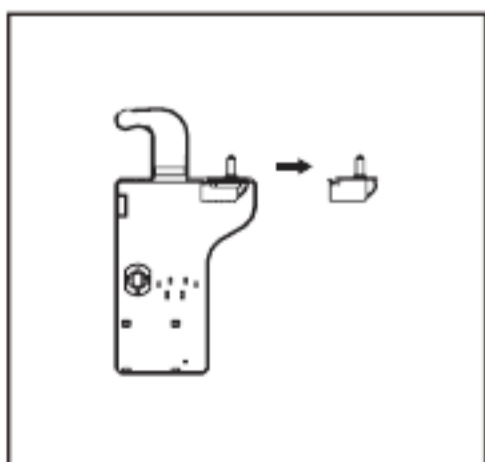
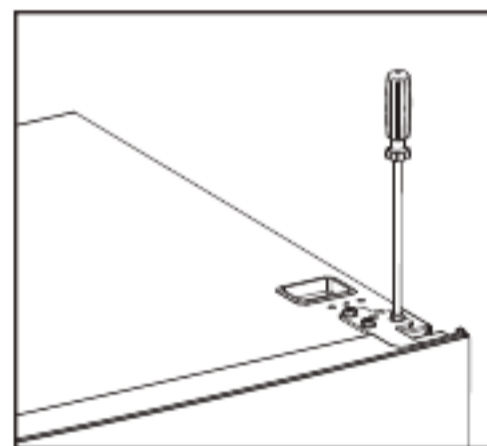
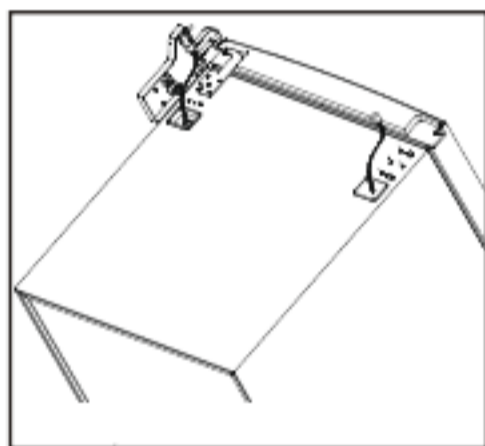
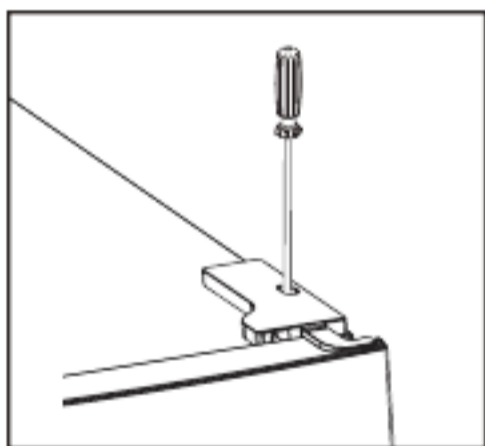
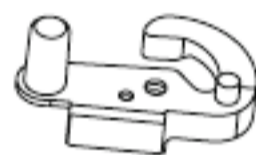
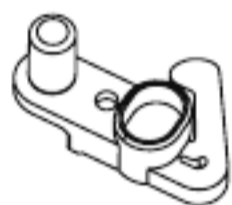
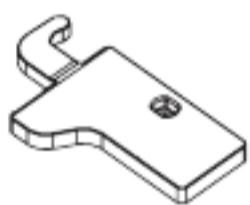
- 

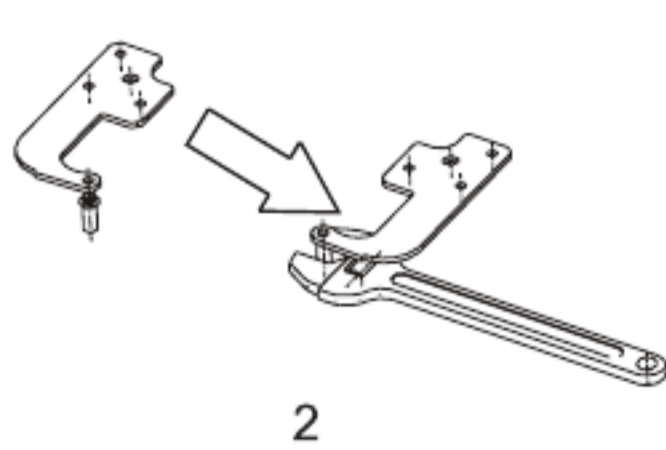
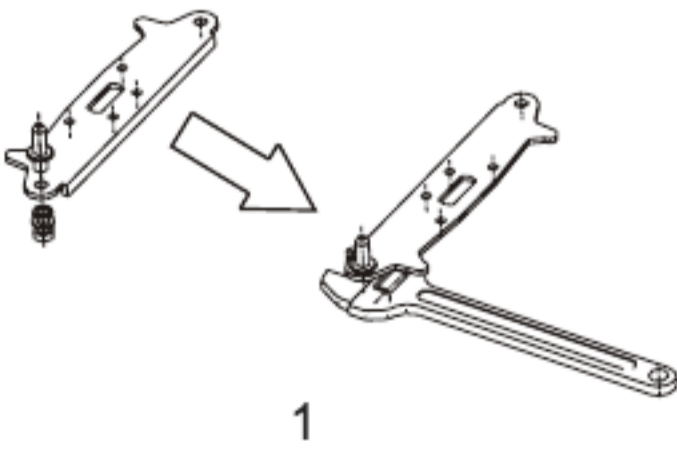
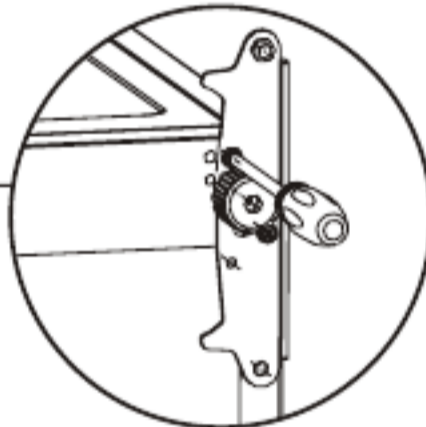
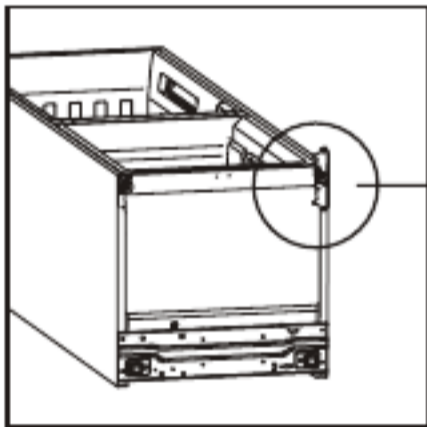
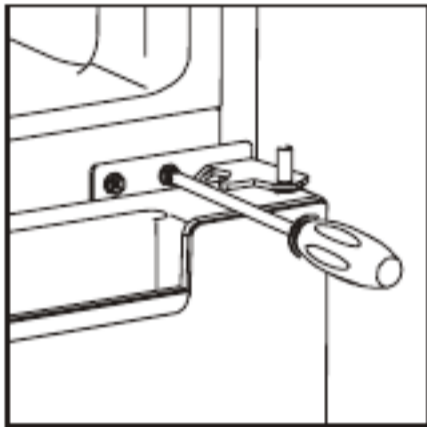
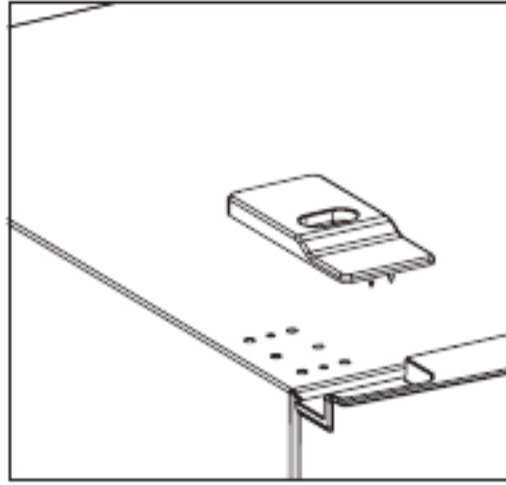
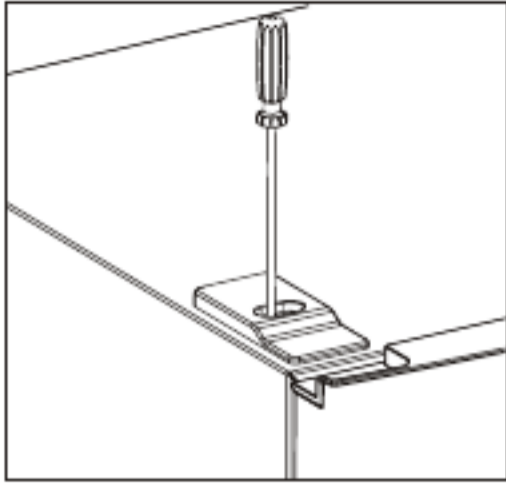
- 

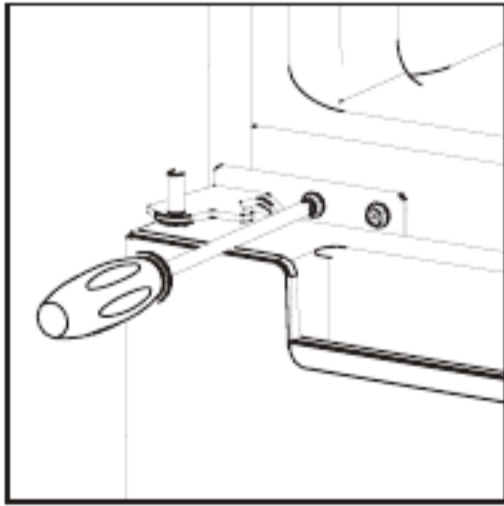
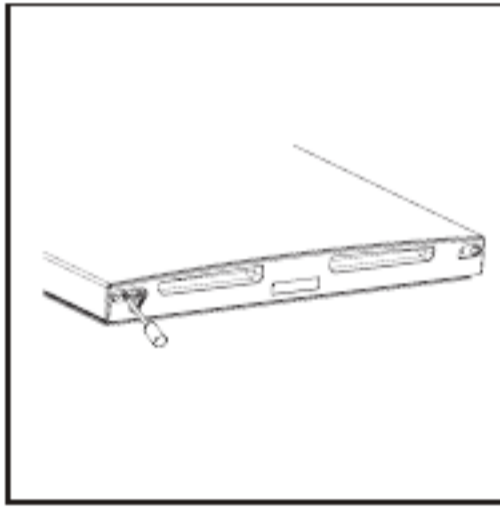
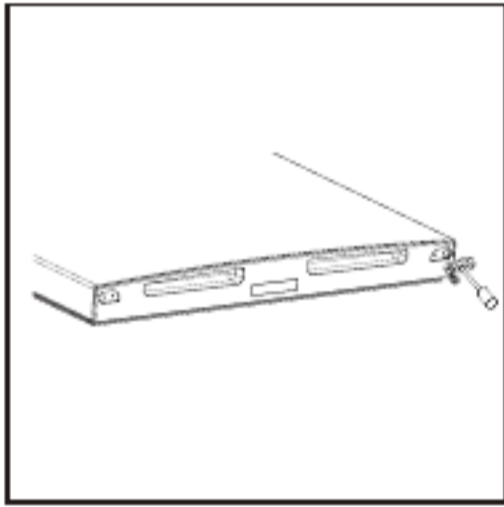
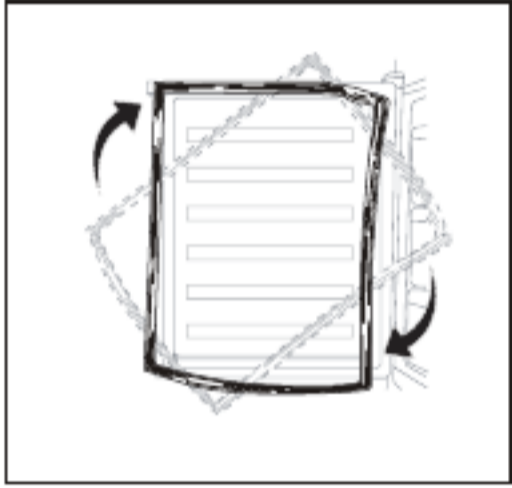
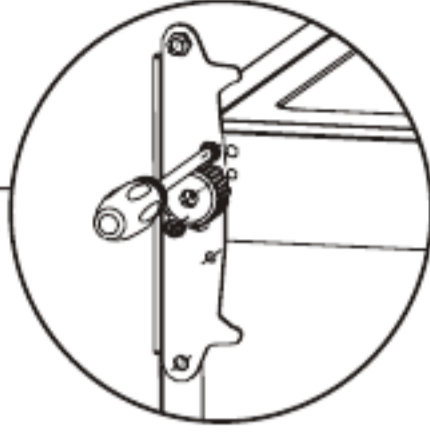
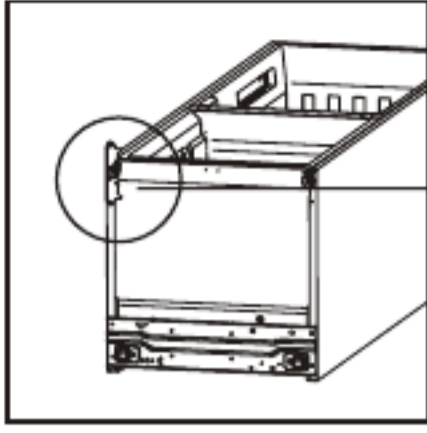
- 

- 

-









- 
- 
- 
- 
- 
- 
- 
- 
- 
- 
-

- 
- 
- 
- 
- 
-




Power International AS,  
PO Box 523, N-1471 Lørenskog, Norway

Power Norjassa:  
<https://www.power.no/kundeservice/>  
P: 21 00 40 00

Power Tanskassa:  
<https://www.power.dk/kundeservice/>  
P: 70 33 80 80

Punkt 1 Tanskassa:  
<https://www.punkt1.dk/kundeservice/>  
P: 70 70 17 07

Power Suomessa:  
<https://www.power.fi/tuki/asiakaspalvelu/>  
P: 0305 0305

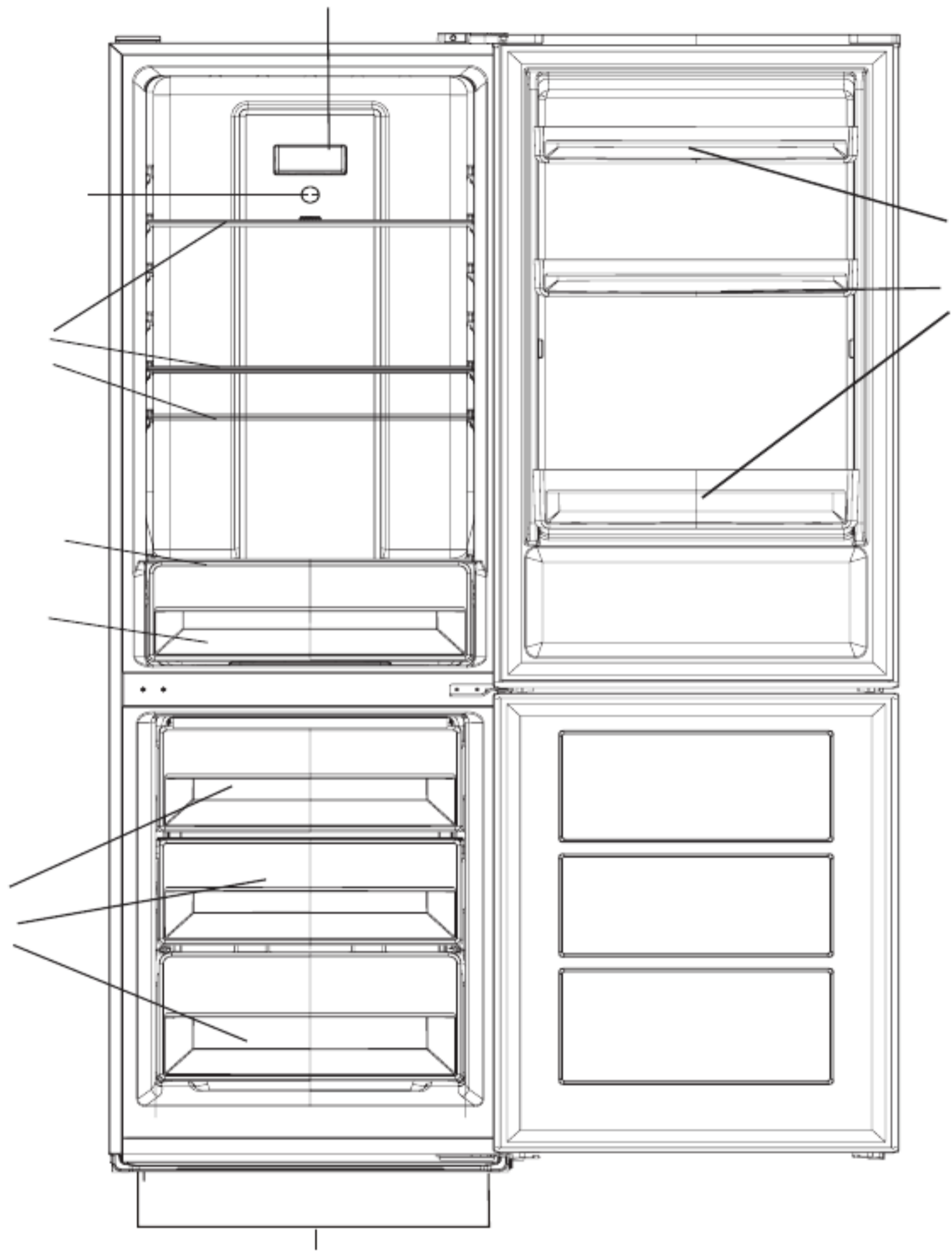
Power Ruotsissa  
<https://www.power.se/kundservice/>  
P: 08 517 66 000











- 
- 
- 
- 
- 

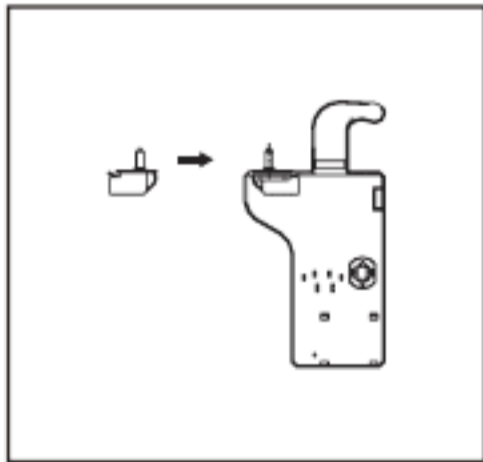
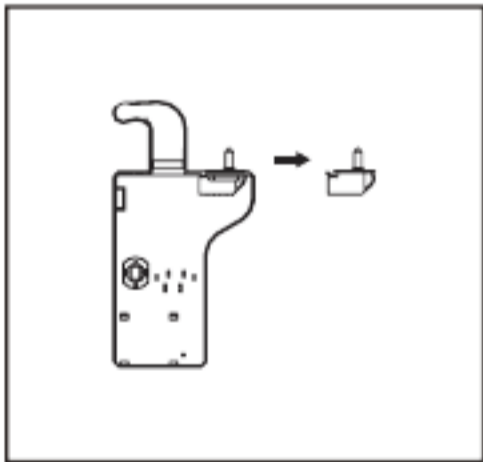
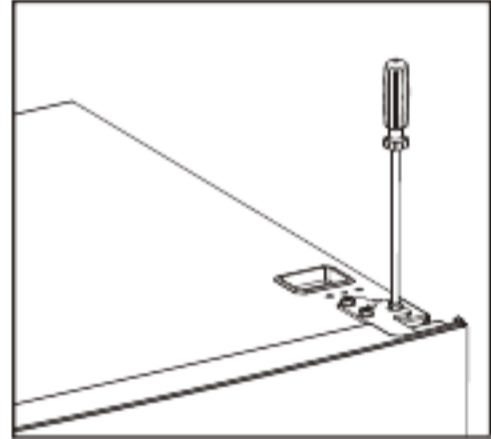
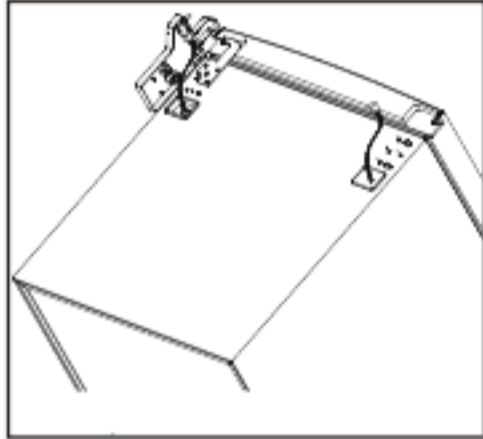
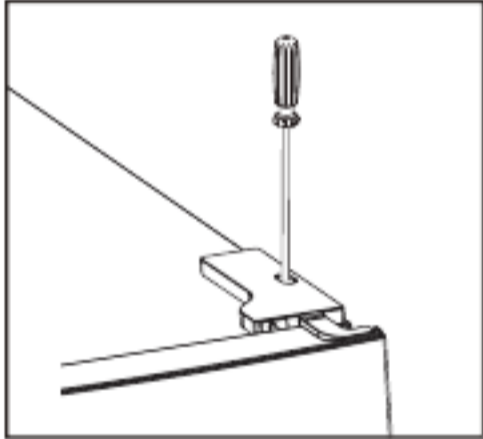
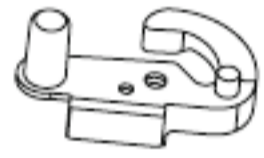
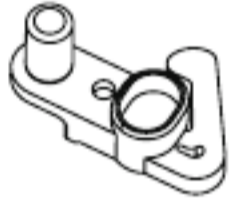
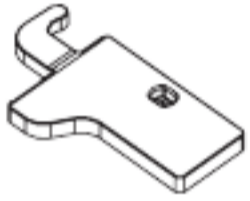
- 

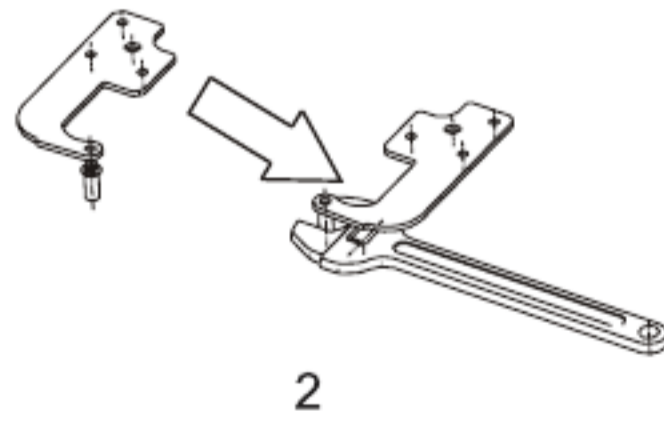
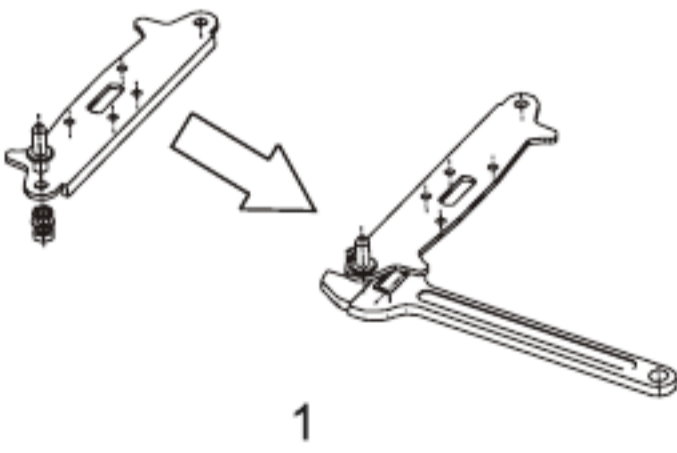
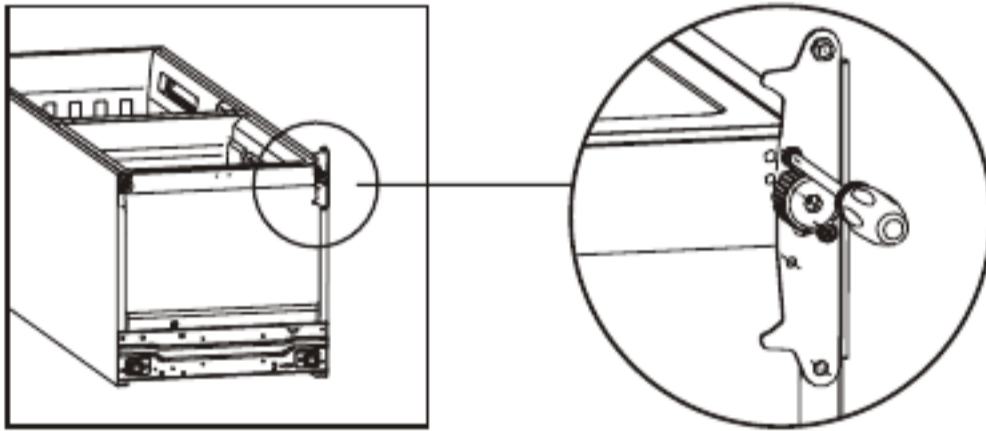
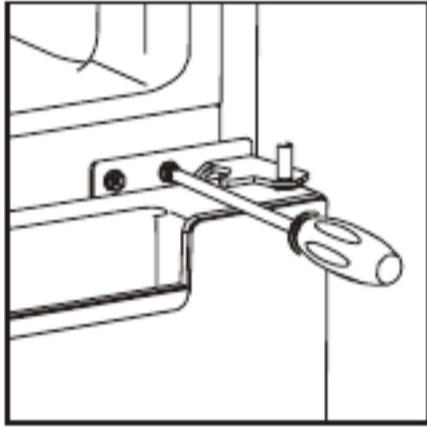
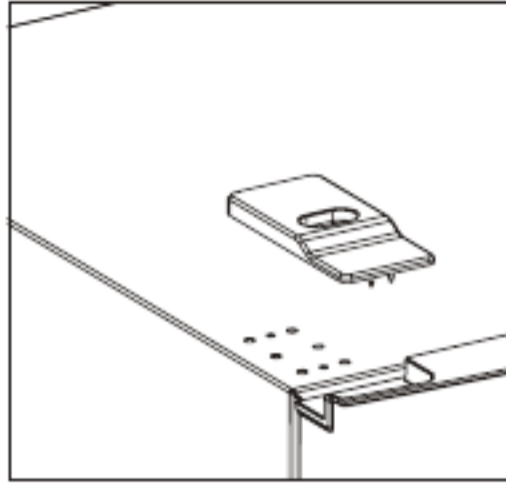
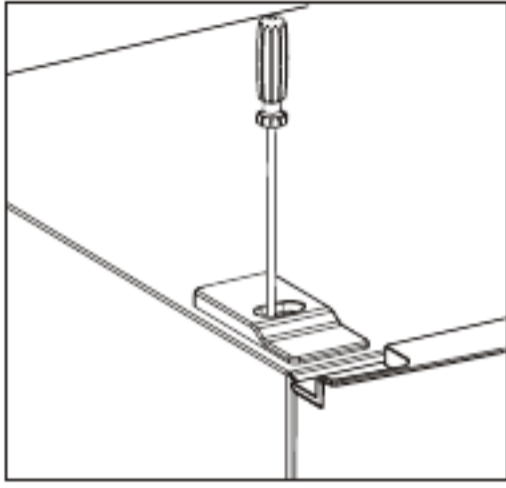
- 

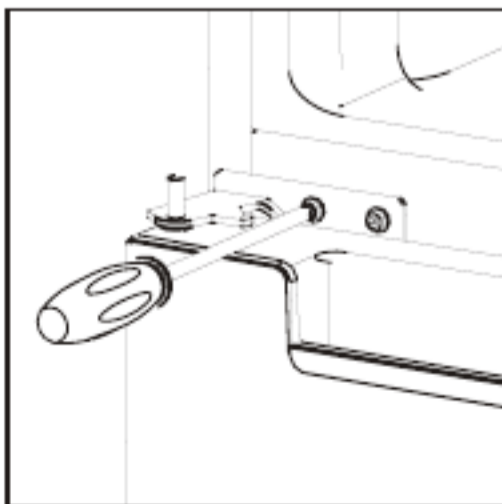
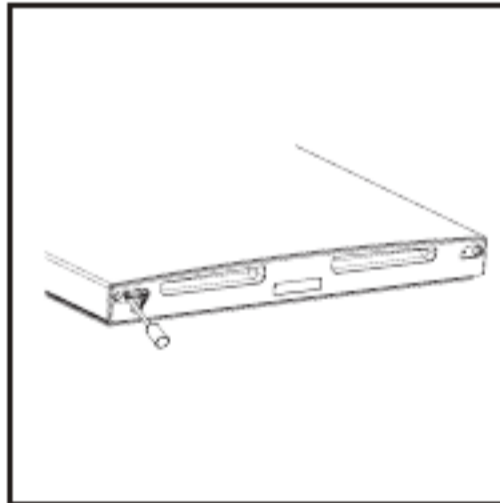
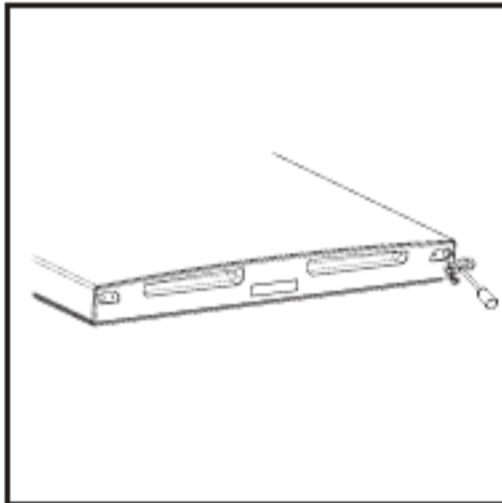
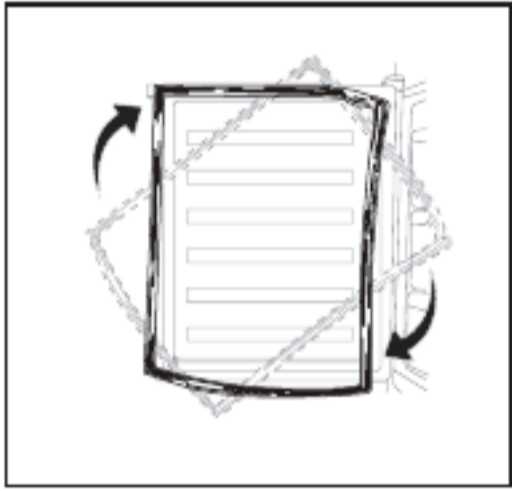
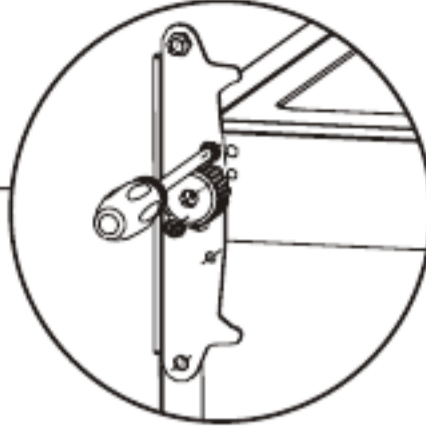
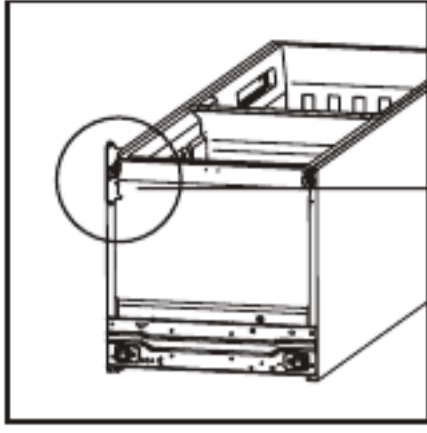
- 

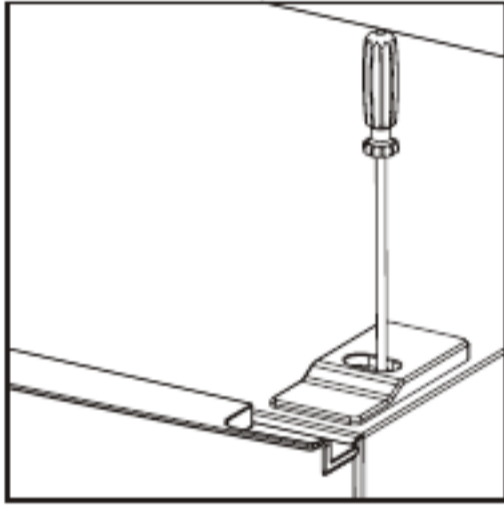
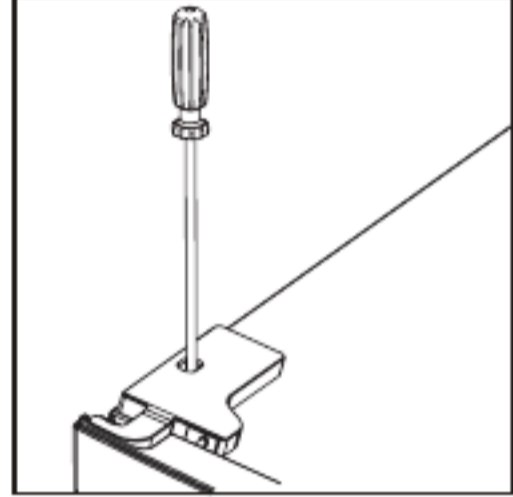
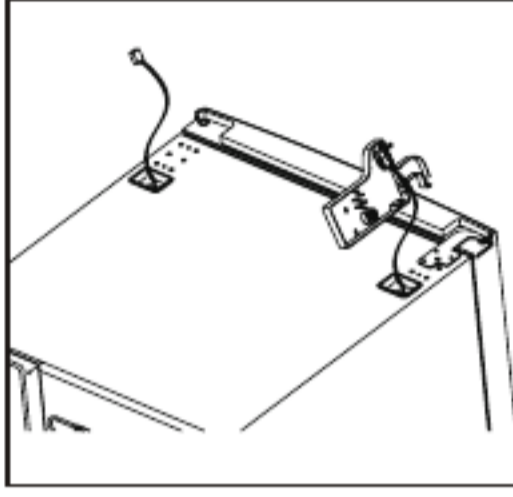
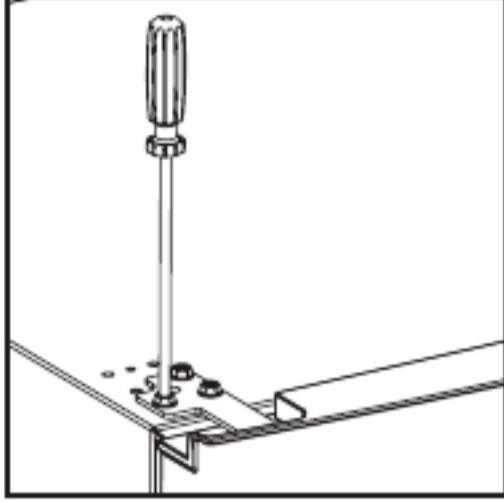
- 

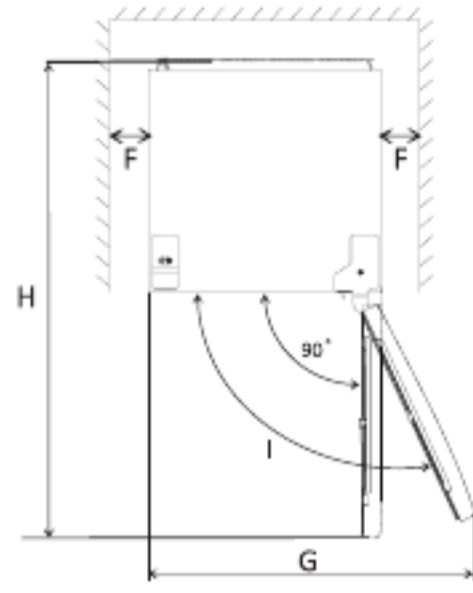
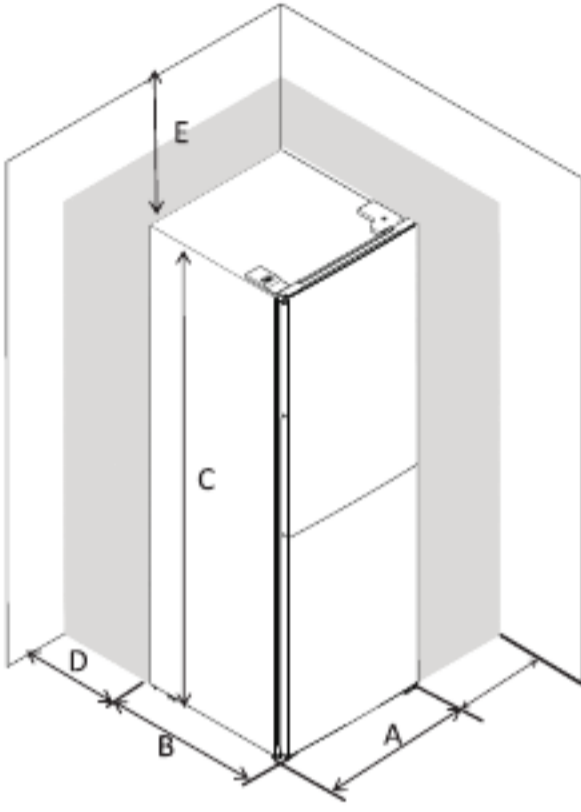
-

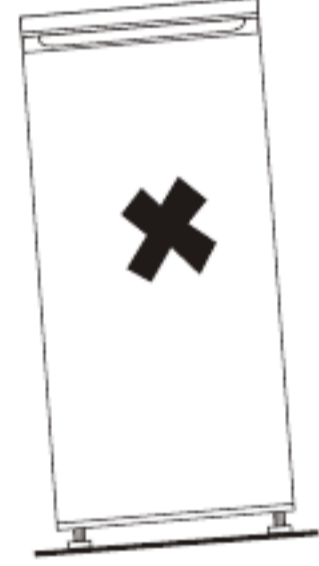
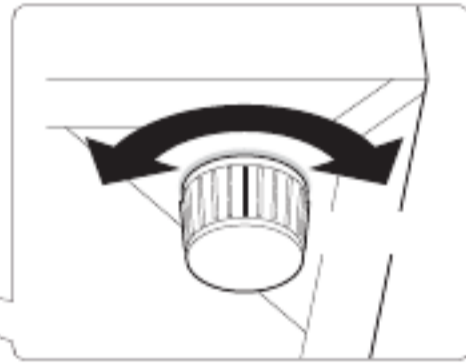


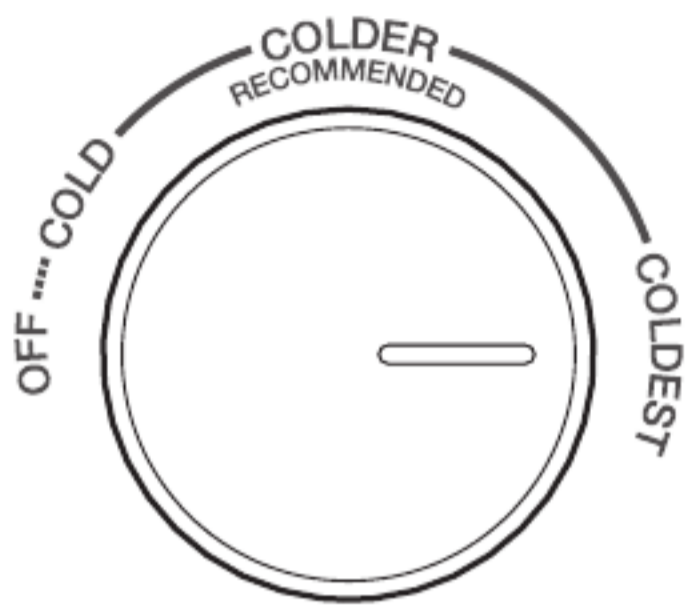






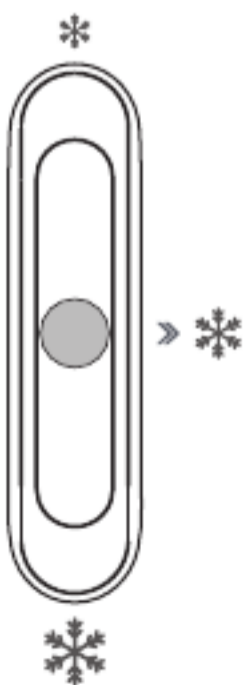



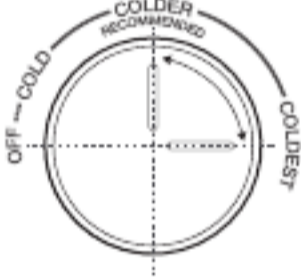

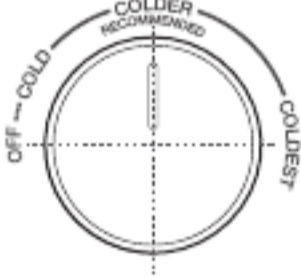

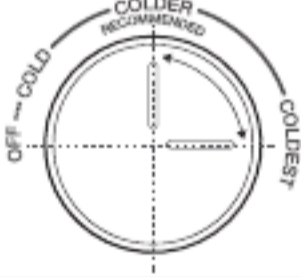


- 
- 
- 
- 

**FREEZER CONTROL**









Power International AS,  
PO Box 523, N-1471 Lørenskog, Norway

Power Norge:  
<https://www.power.no/kundeservice/>  
T: 21 00 40 00

Power Danmark:  
<https://www.power.dk/kundeservice/>  
T: 70 33 80 80

Punkt 1 Danmark:  
<https://www.punkt1.dk/kundeservice/>  
T: 70 70 17 07

Power Finland:  
<https://www.power.fi/tuki/asiakaspalvelu/>  
T: 0305 0305

Power Sverige:  
<https://www.power.se/kundservice/>  
T: 08 517 66 000









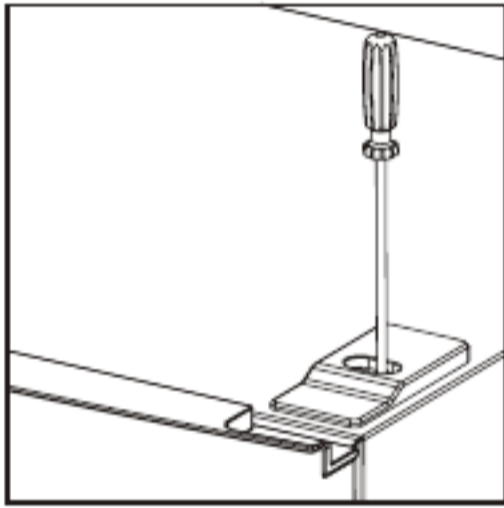
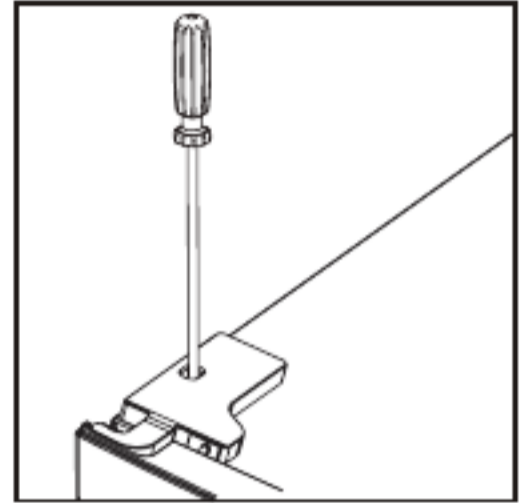
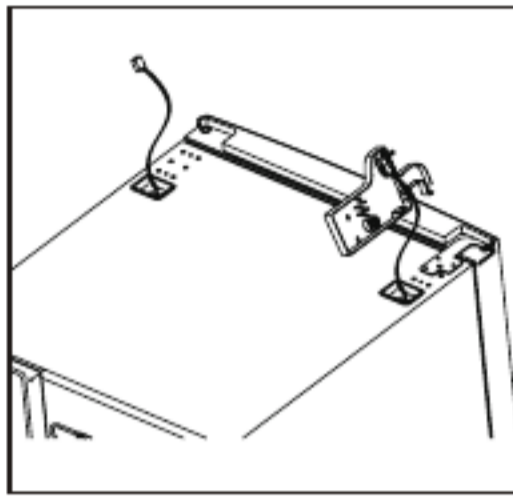
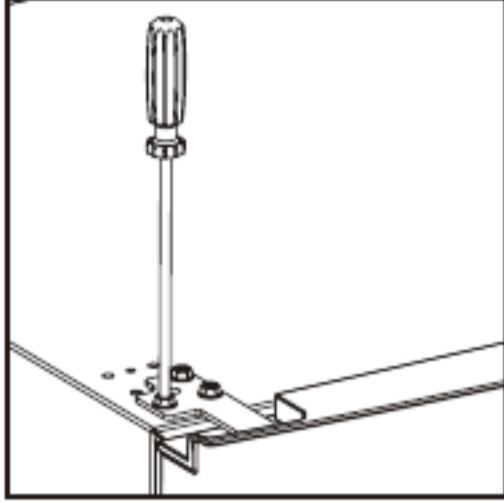


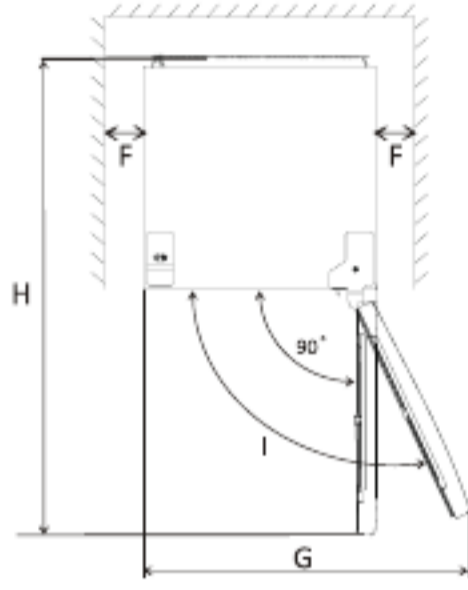
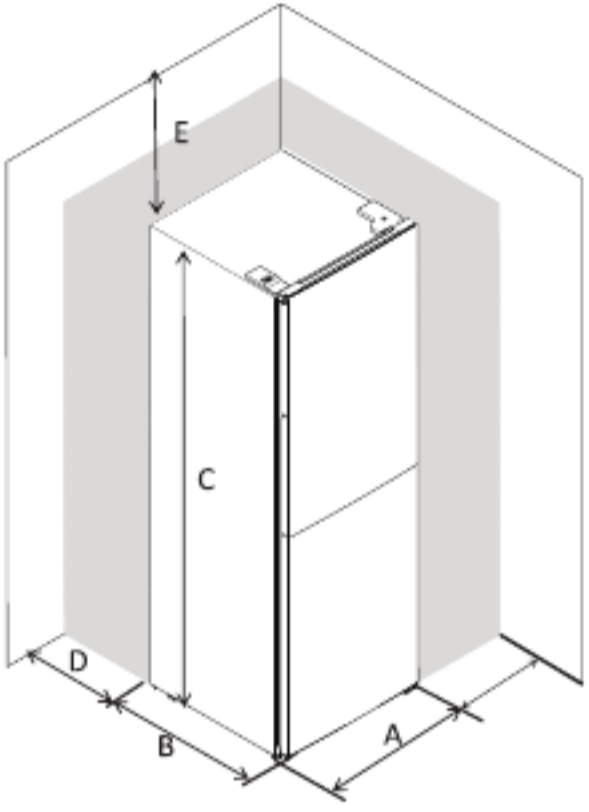


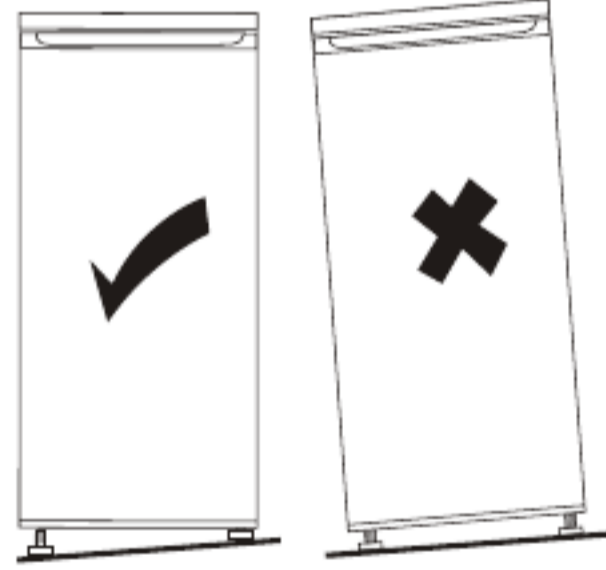


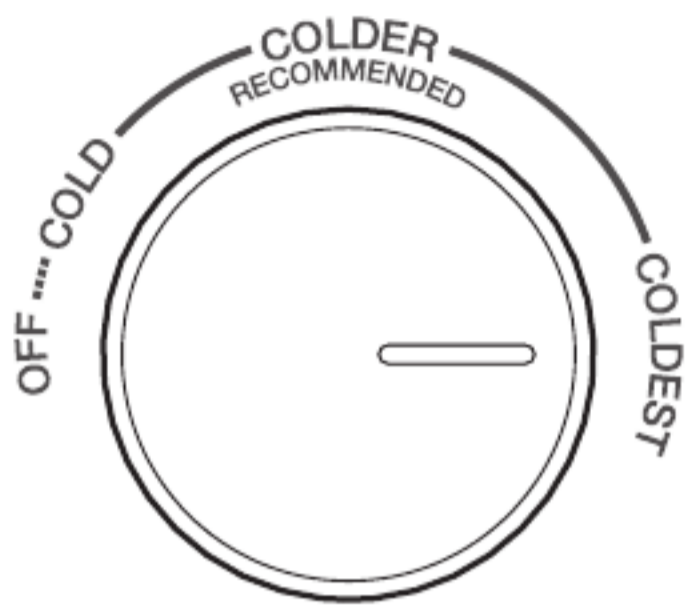






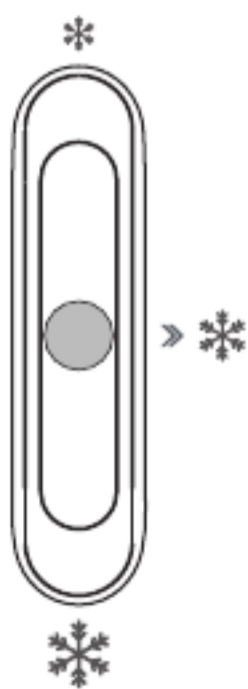




- 
- 
- 
- 

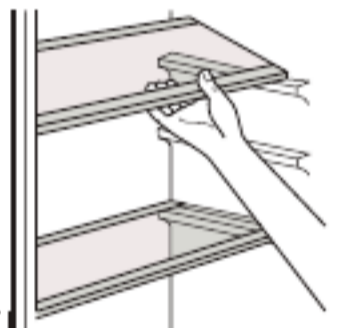
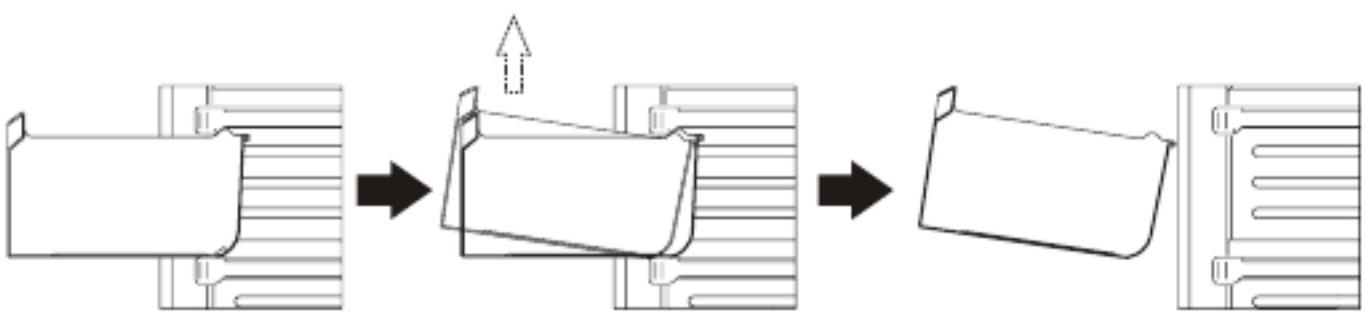
**FREEZER CONTROL**








- 
- 
-





- 
- 
- 
- 
- 
- 
- 

- 
- 
- 
-