

**GENZ**

EVERYDAY PERFORMANCE

Instruction Manual English .....page

Käyttöopas Suomi .....sivu

Bruksanvisning - Svenska .....sida



f fi e/ flammable m

- tions such as staff ki  
ffi
- 
- 
- 
- t or similarly qualified persons
- a flammable p
- 
- 

- 
- 
- 
- 
- 
- - Take off the doors.
- 
- appliance are flammable. Therefore, when the appliance is scrapped, it shall be kept away from any fire
- corresponding qualification and not be disposed of by

- or doors or lids fit

- U

oodstuffs. (n

ff

firm wh

- or long periods can cause a significa




- 

- 

qualified person.

or 48 h; flush

t and fish in suitable

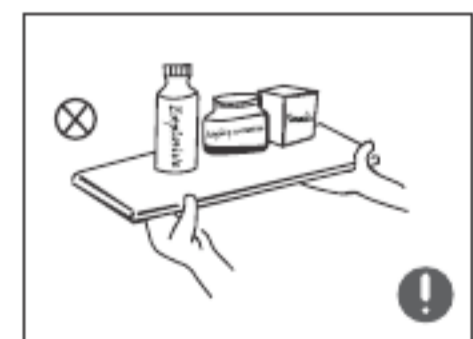
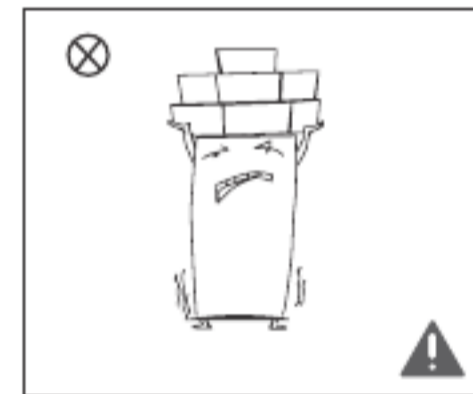
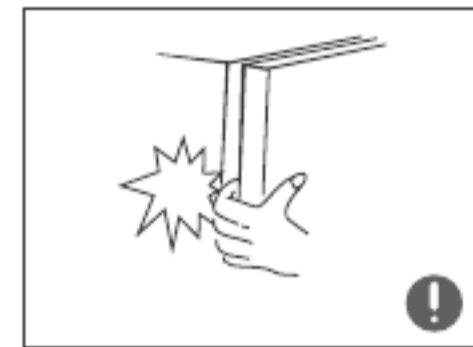
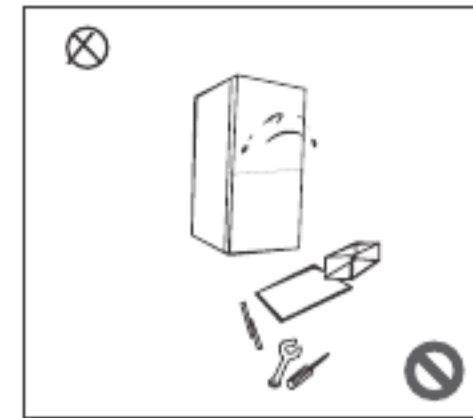

  

  


---



---

Insufficient caution may result in slight or moderate injury, or

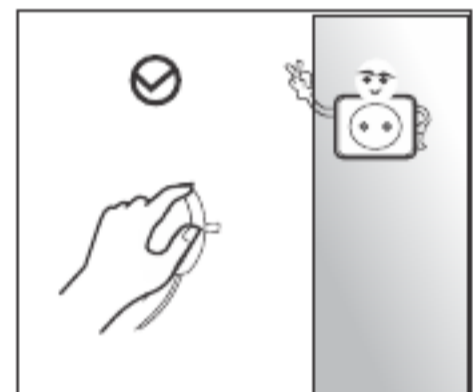


Please be gentle when

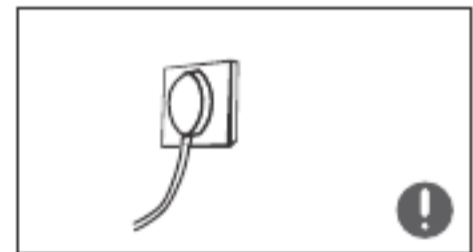
suffocation

er supply within fi

- Do not put flammable, explosive, volatile and highly corrosive
- fire accidents.
- Do not place flammable items near the
- fires.



. Please firmly grasp the plug and pull

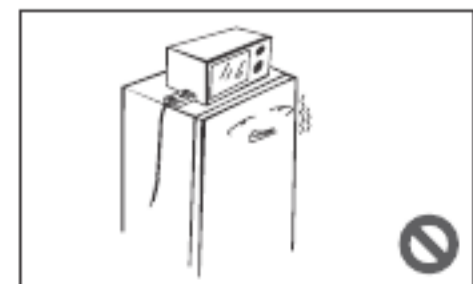


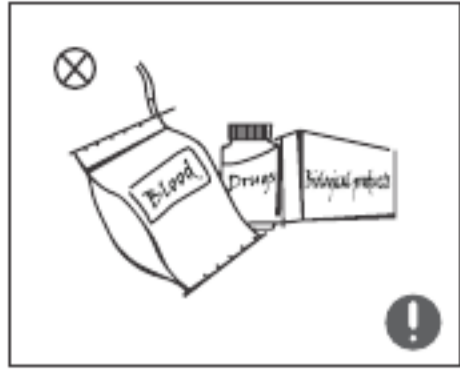
else fi

d should be firmly



ff the  
flammable gases. Do not unplug the  
electrical appliances considering that spark may cause a fire.





•

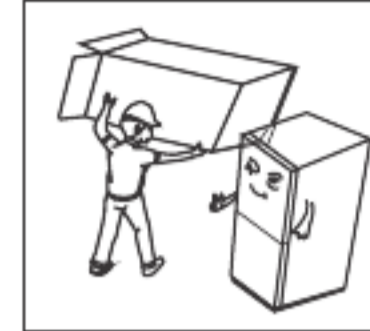


• Do not store beer,

should not be stored in food freezer compartments,



flammable. Therefore, when the  
from any fire source and be recovered by a special recovering company with  
esponding qualific



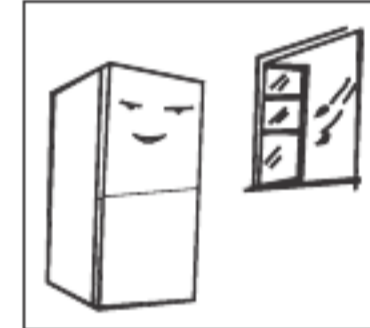
•

the protective film on the doors and body. ; tear off



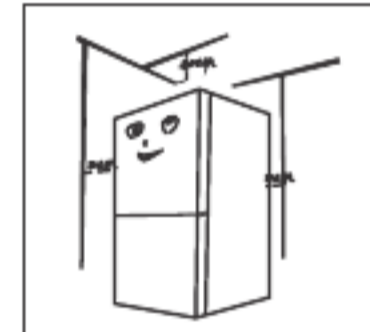
•

f insulating effect.  
moist places easy to be splashed with water so as not to affect



•

ound shall be fl

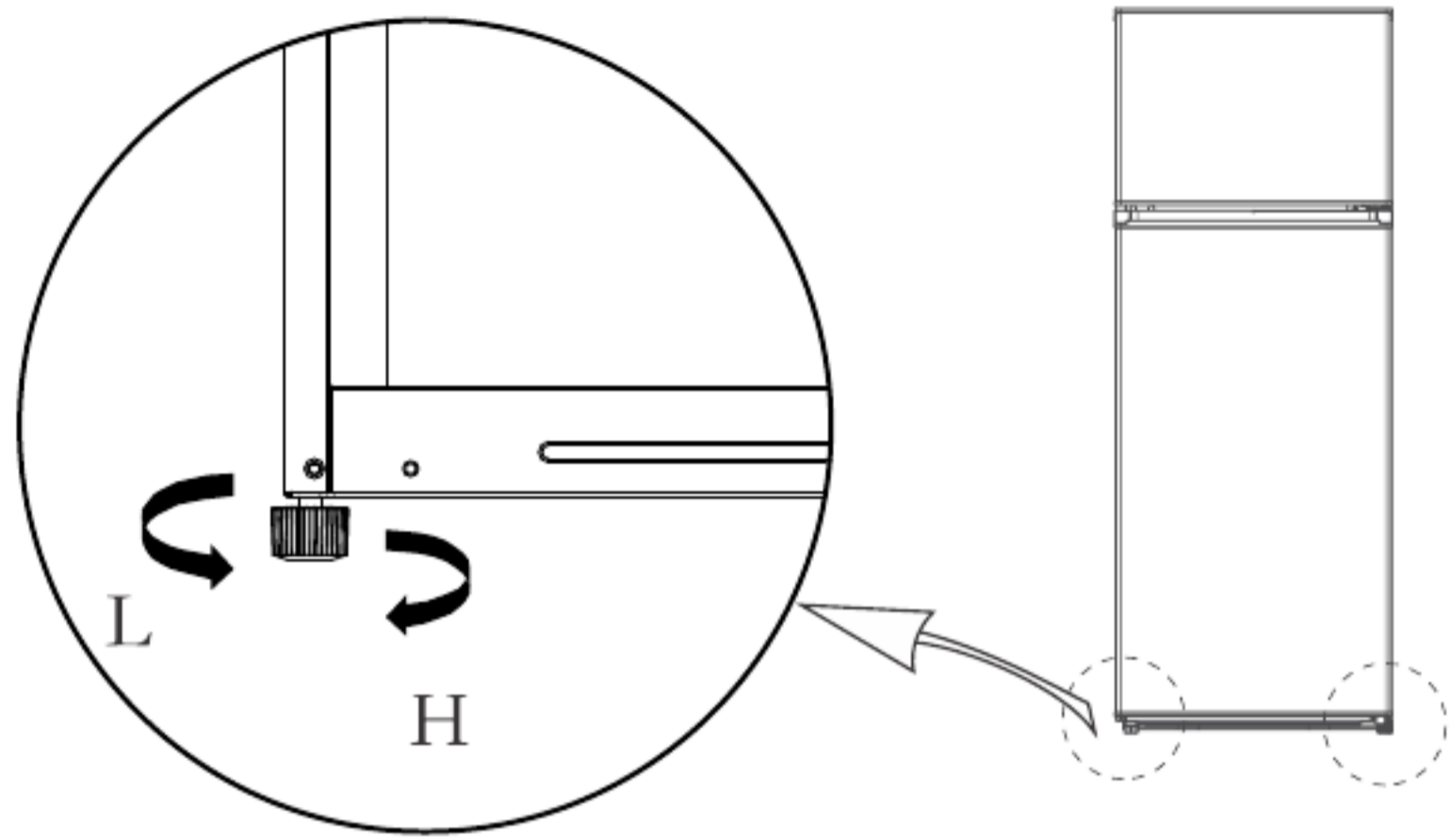


•



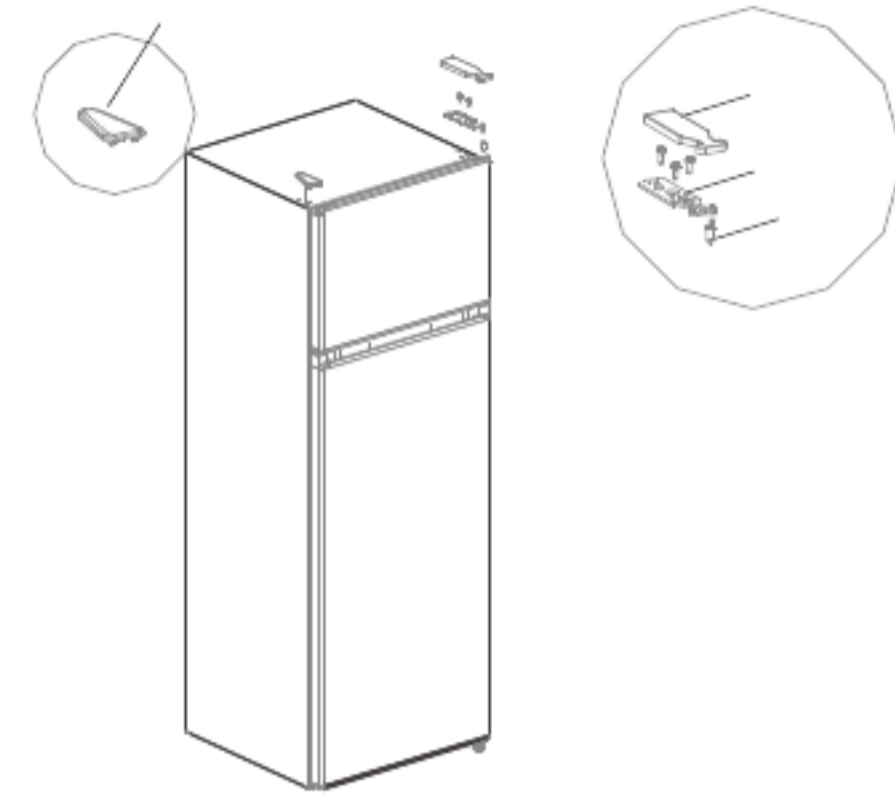
may differ.



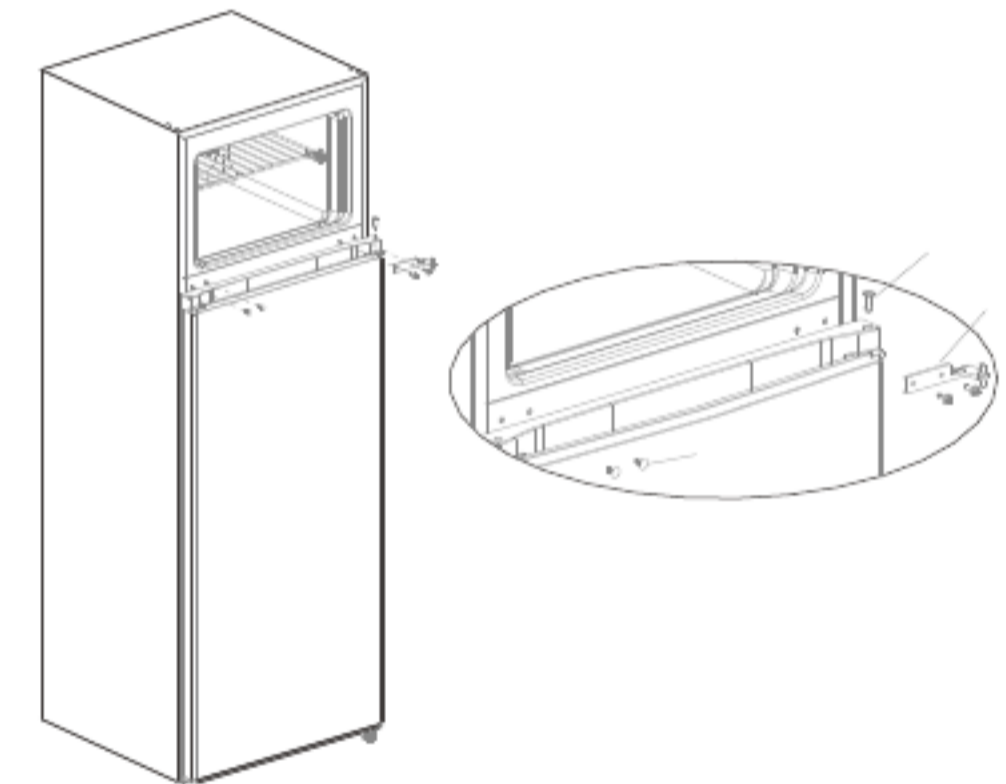




figu

2) Take off top hinge cover, top hinge, the sleeve pipe of freezer door and hole

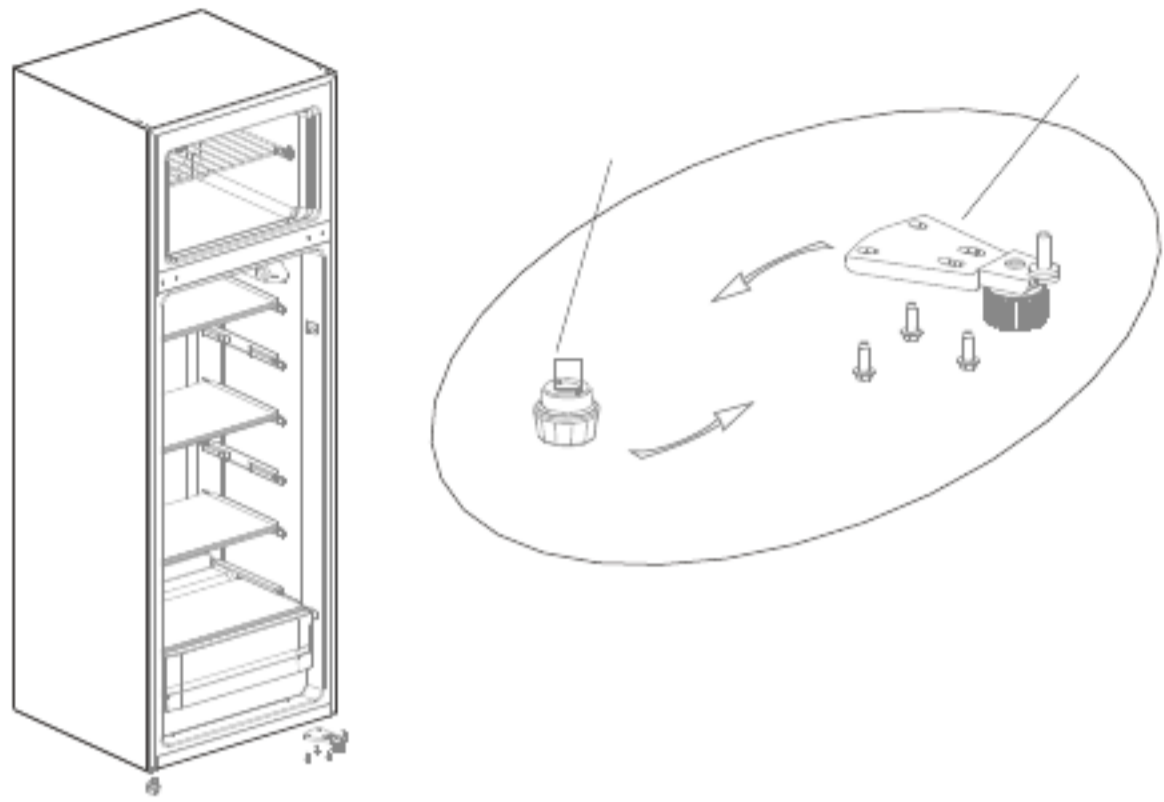


3) Take off freezer chamber door, middle hinge, the sleeve pipe of refrigerating

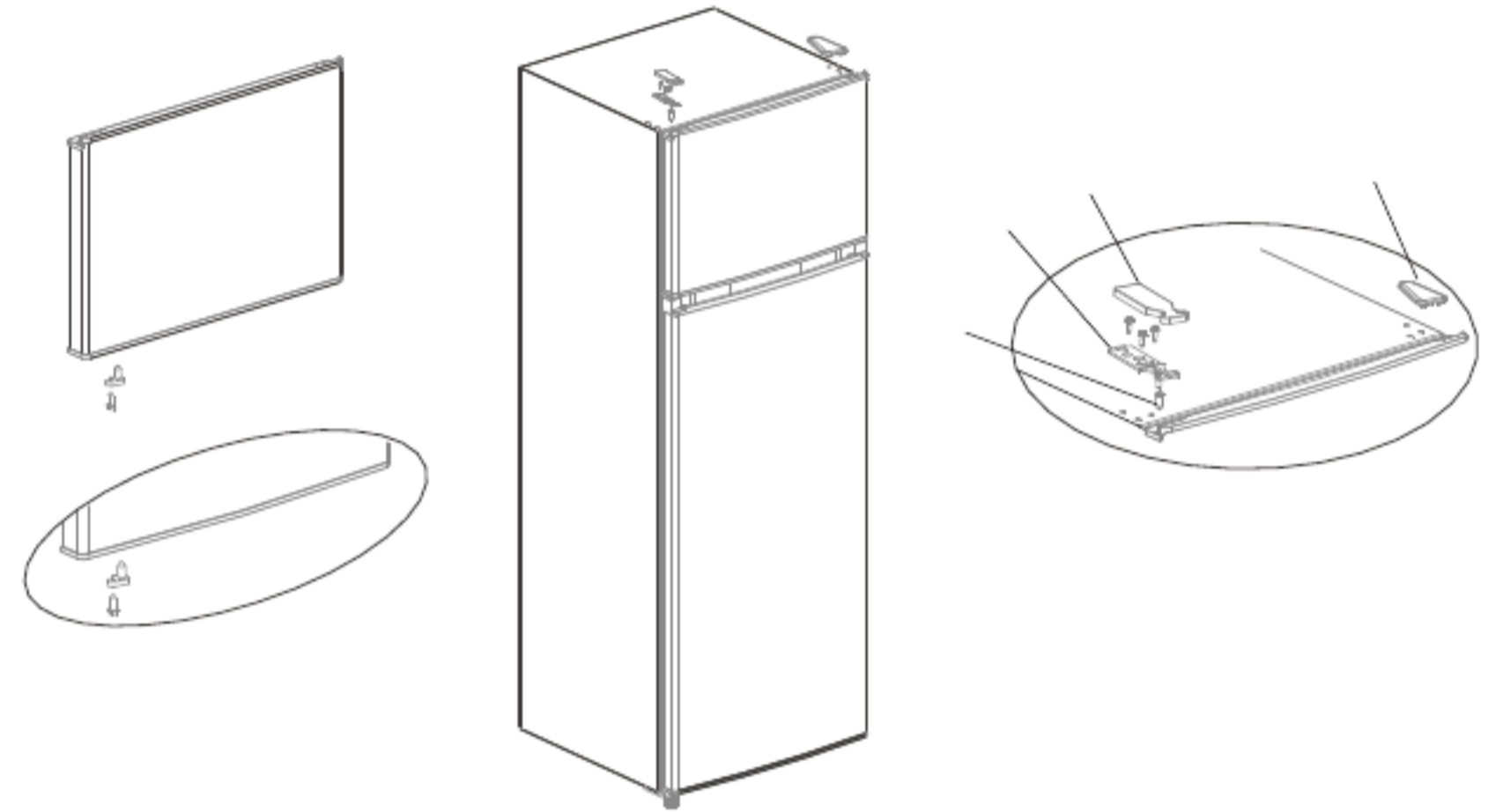


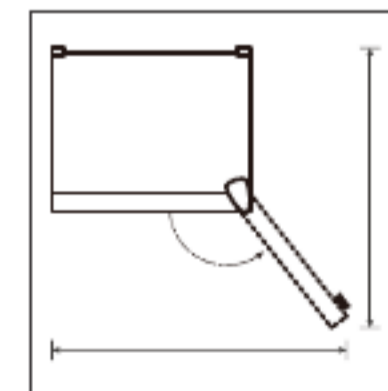
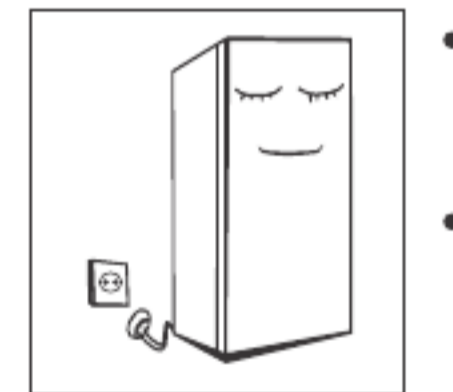
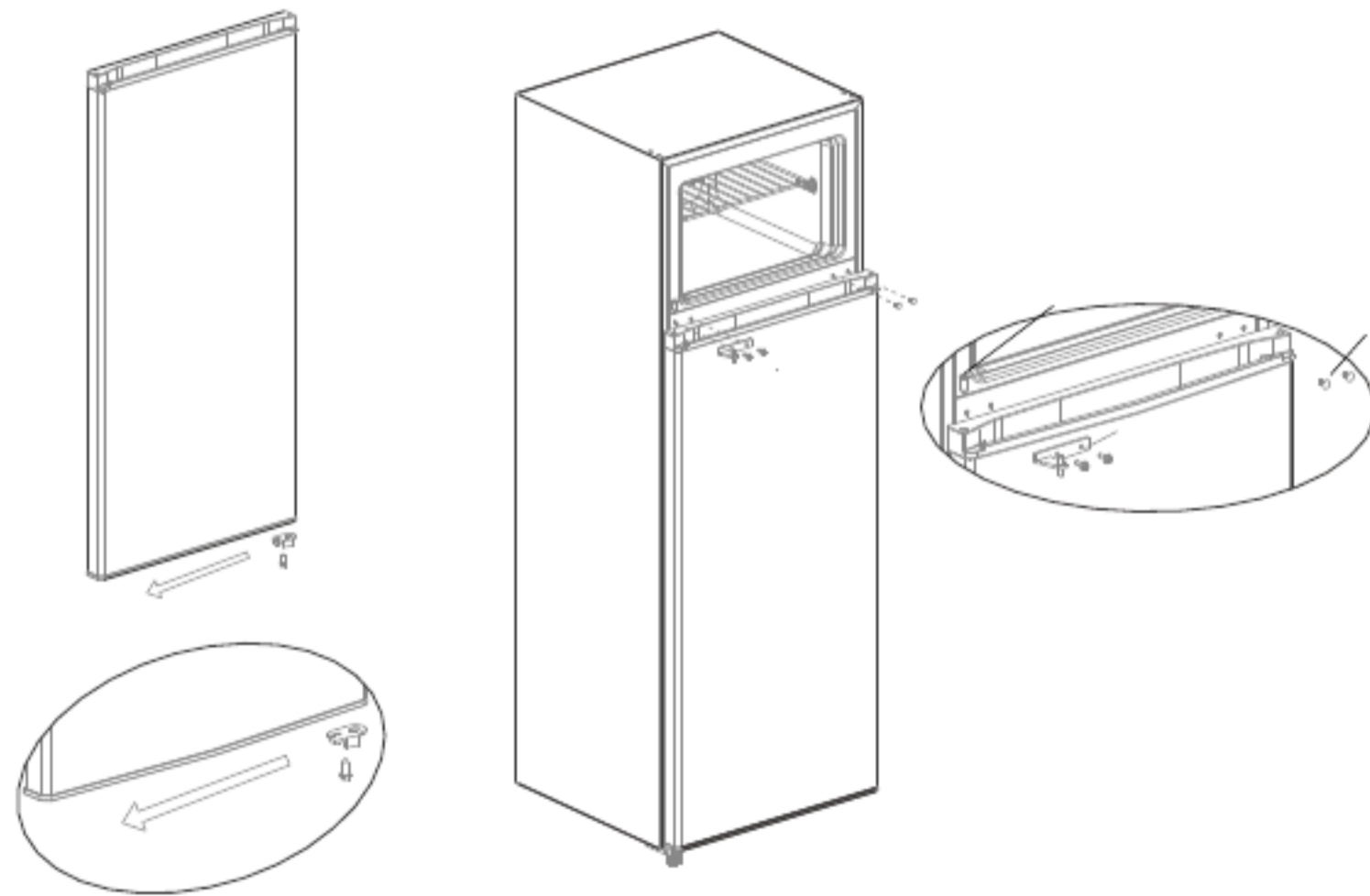
1) Power off the appliance, and remove all objects from the door trays.



hole of top left of door, assemble the top hinge and top hinge cover, then fix

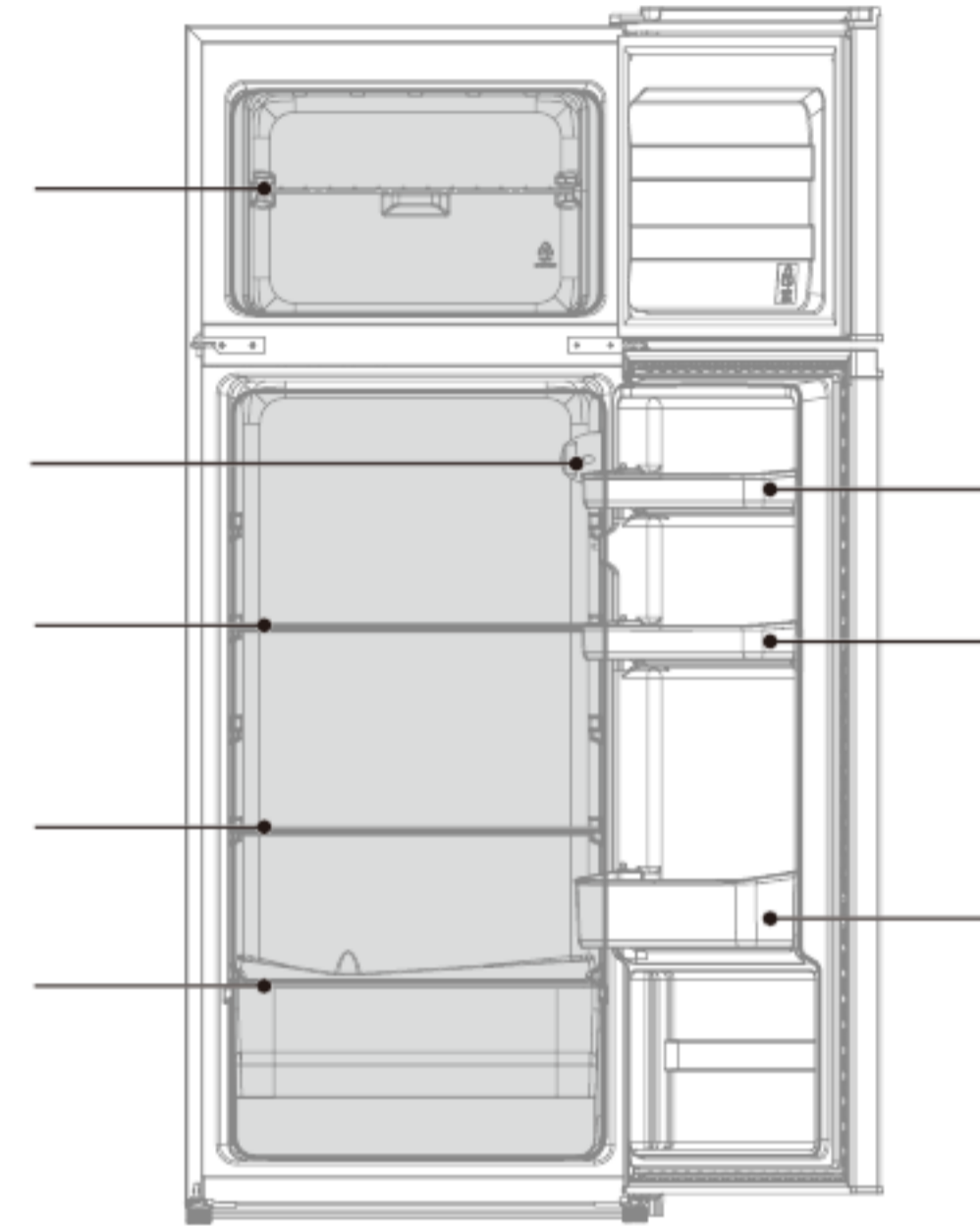


(The picture above is only for reference. The actual configuration will depend on the



- 
- 
- 
- 
- 

fficie



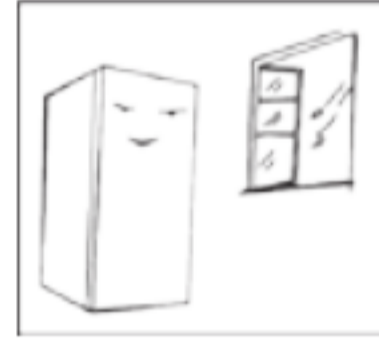
figu

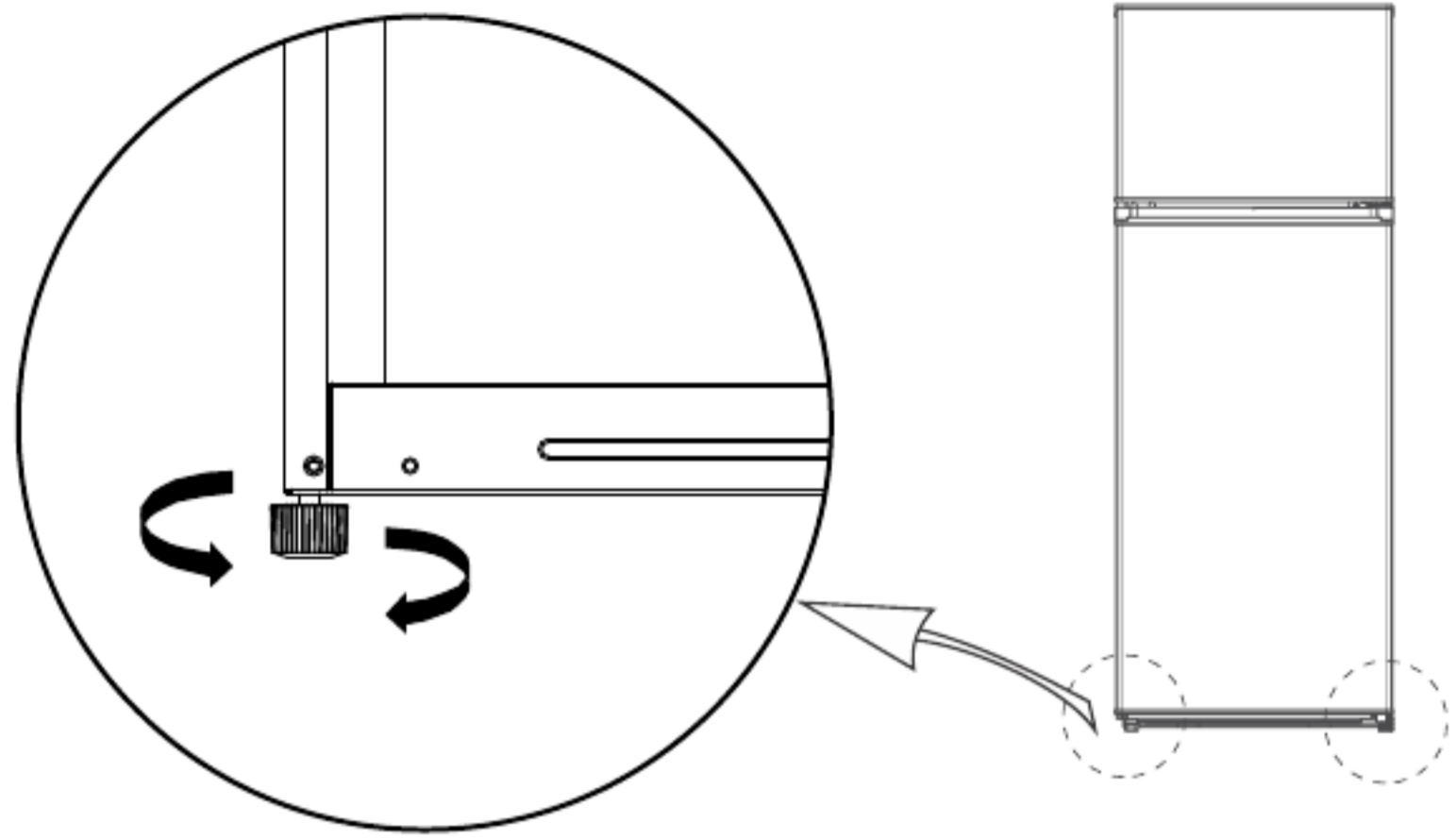


Setting "Off" : unit off

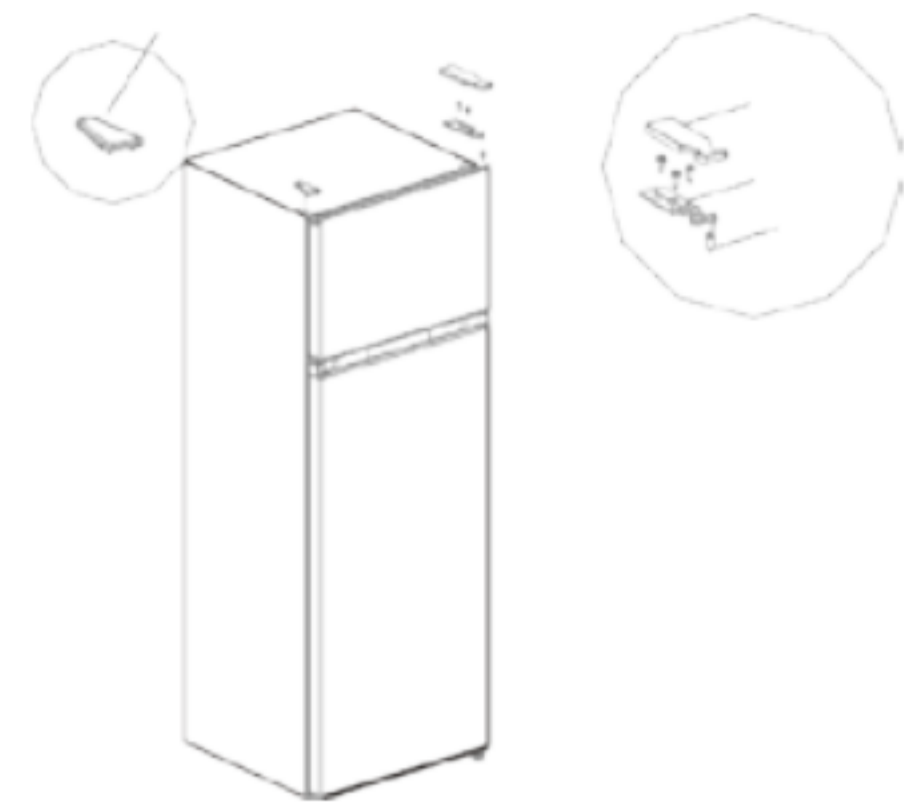
- 





- For the first time you install your refrigerator, set the thermostat knob at "Med".



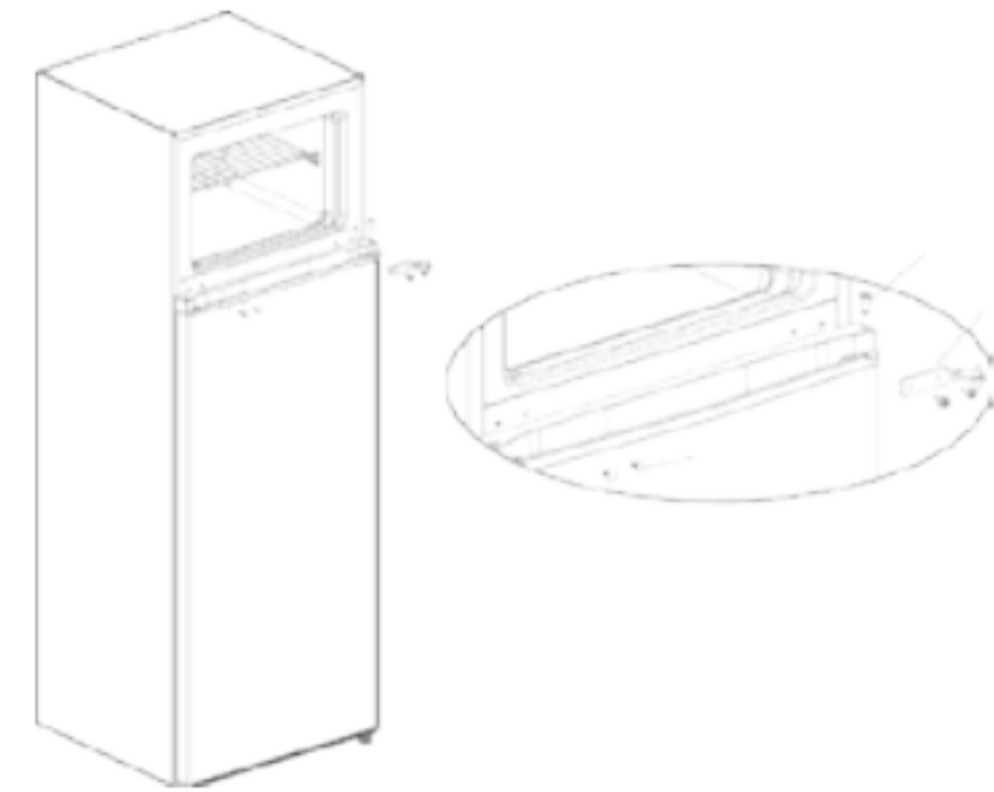


fi

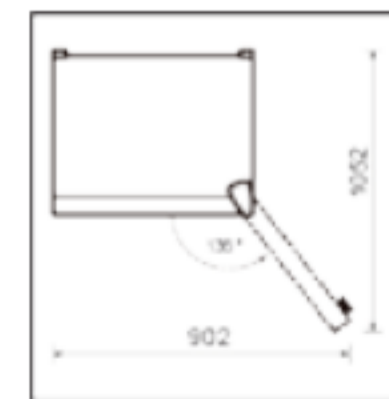
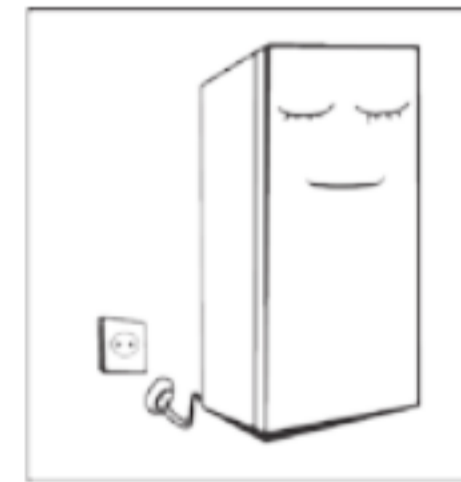
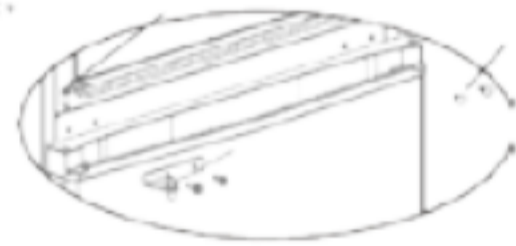
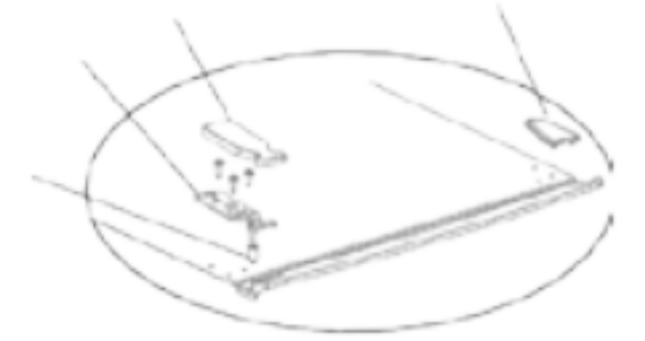
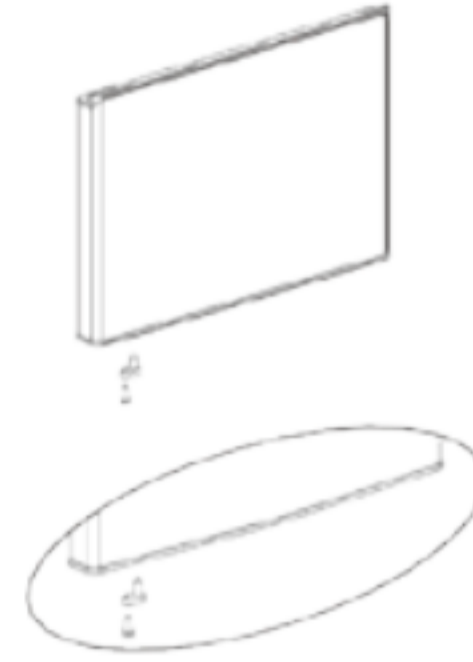
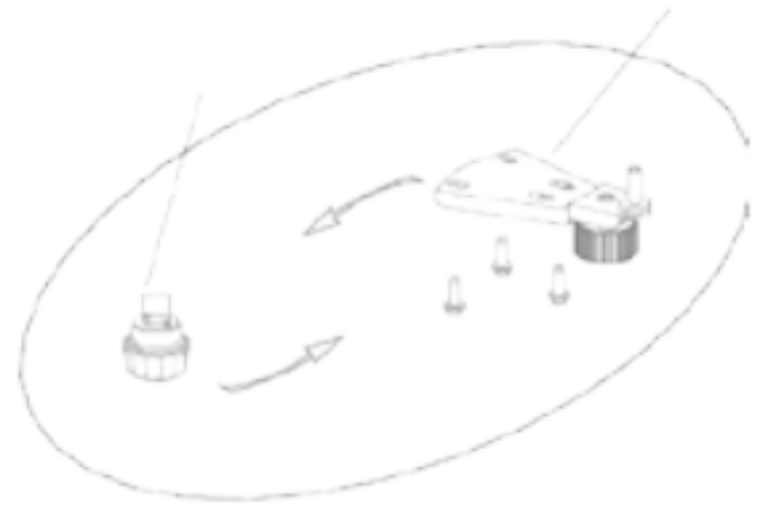


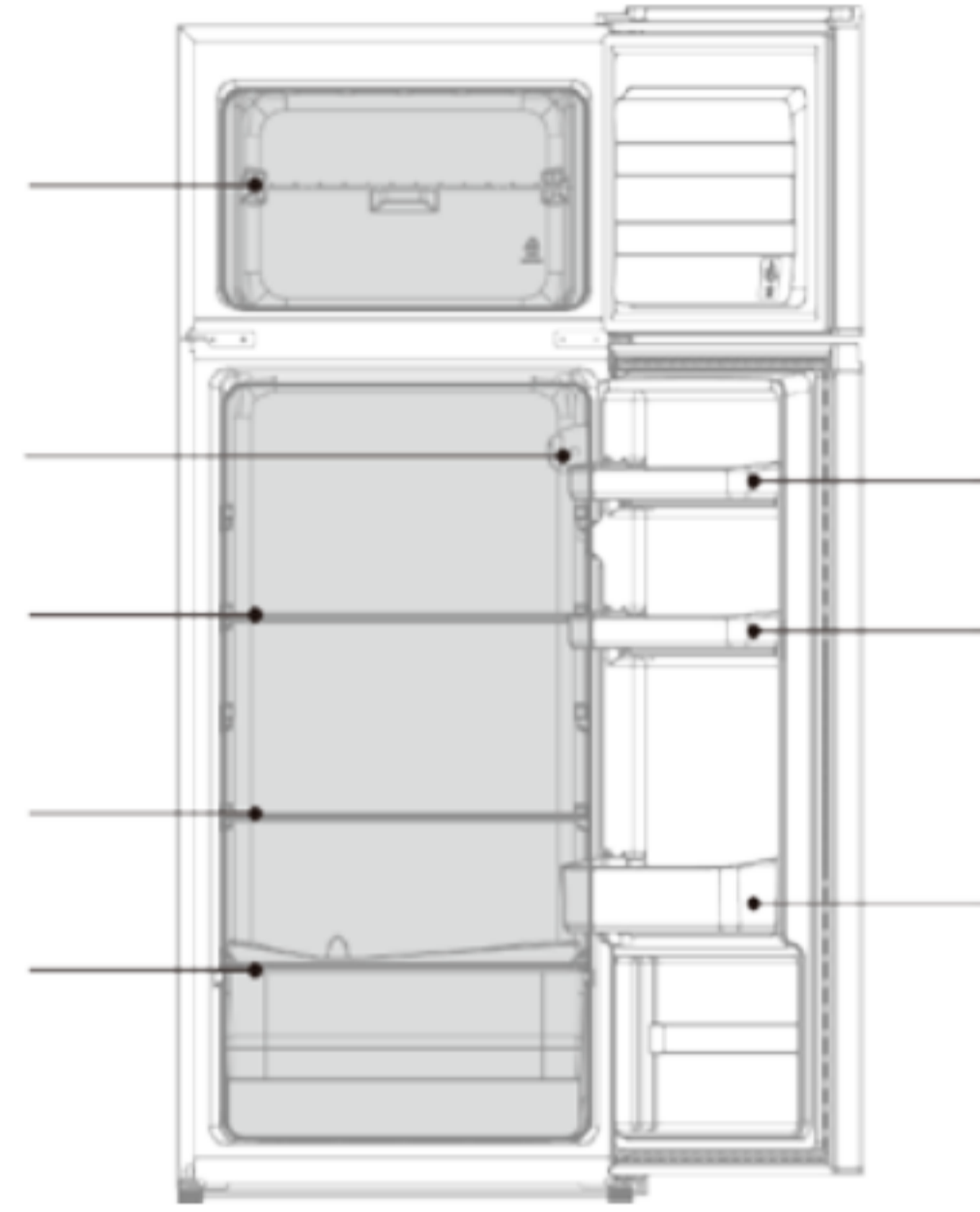
			
			

fj



fj









fi



	ff
---	----

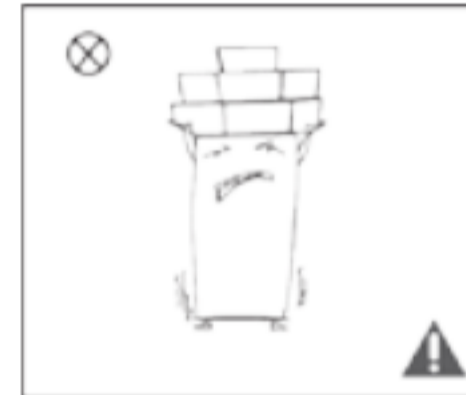
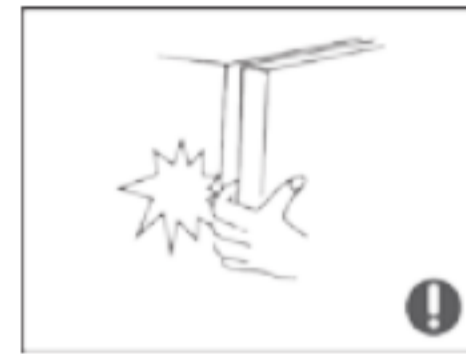
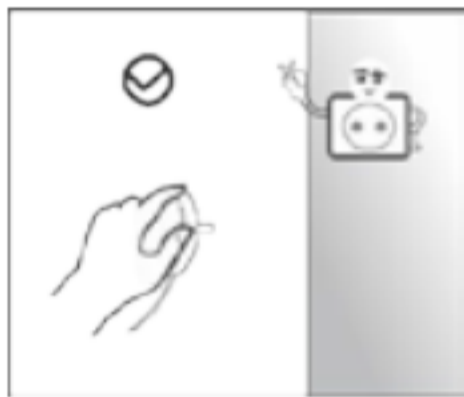
fi















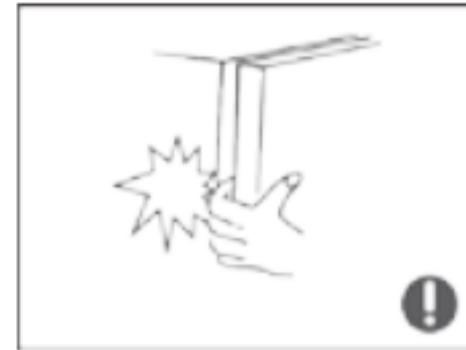
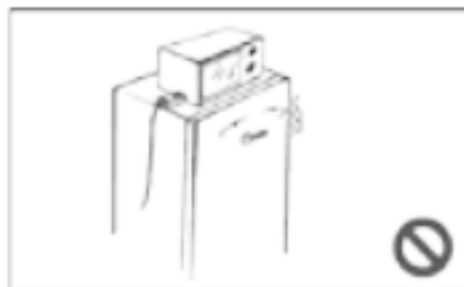
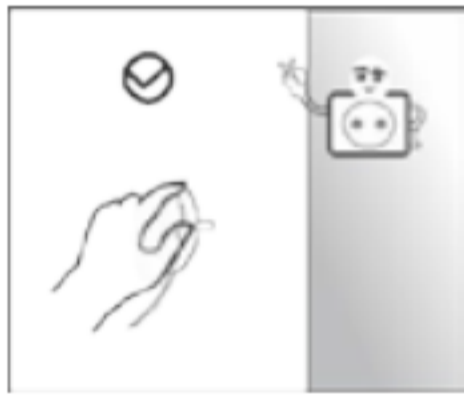
⊘

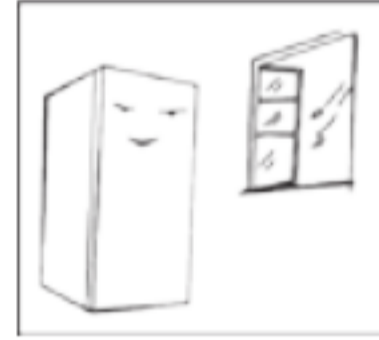
!

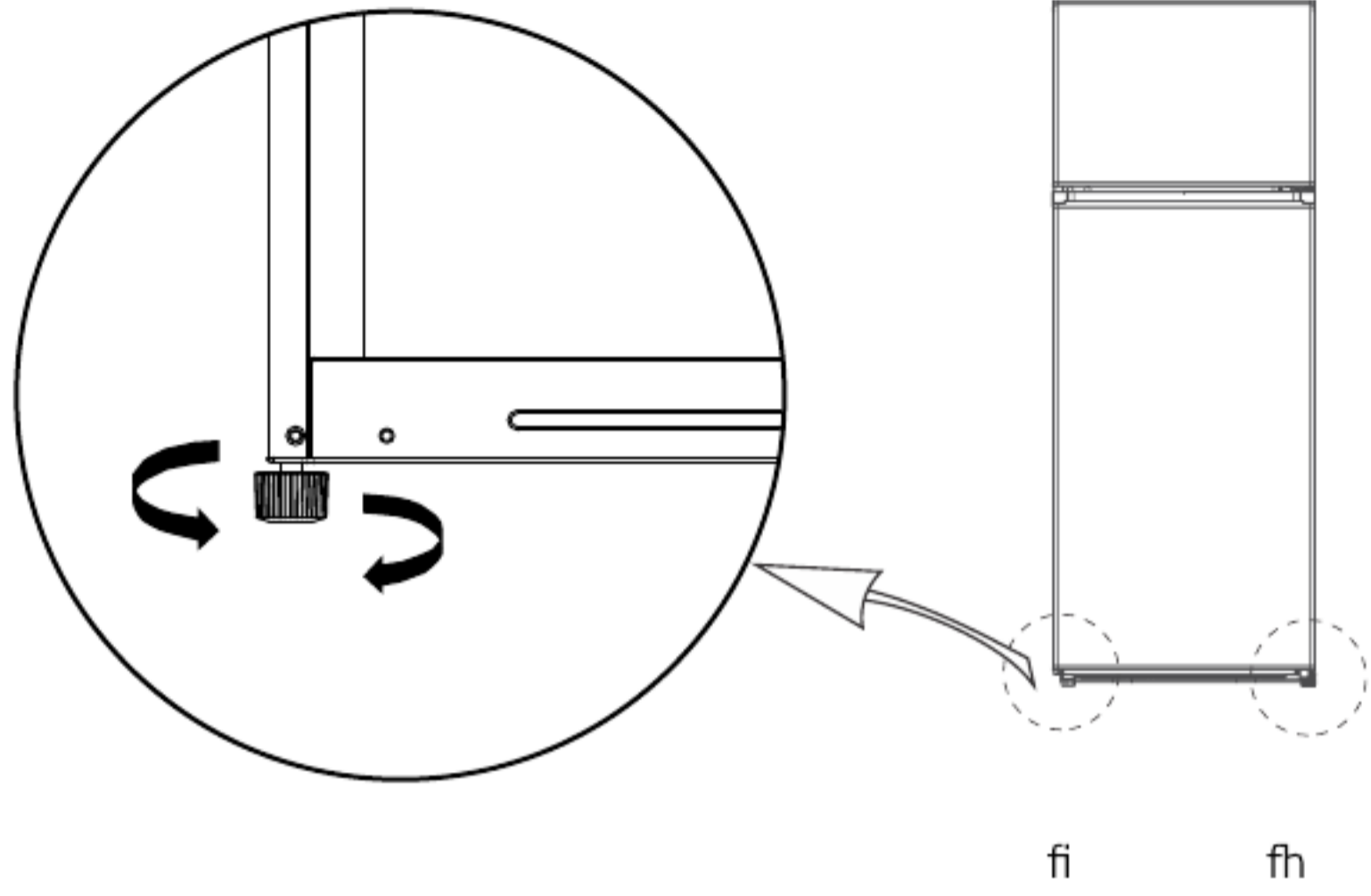
⚠





---

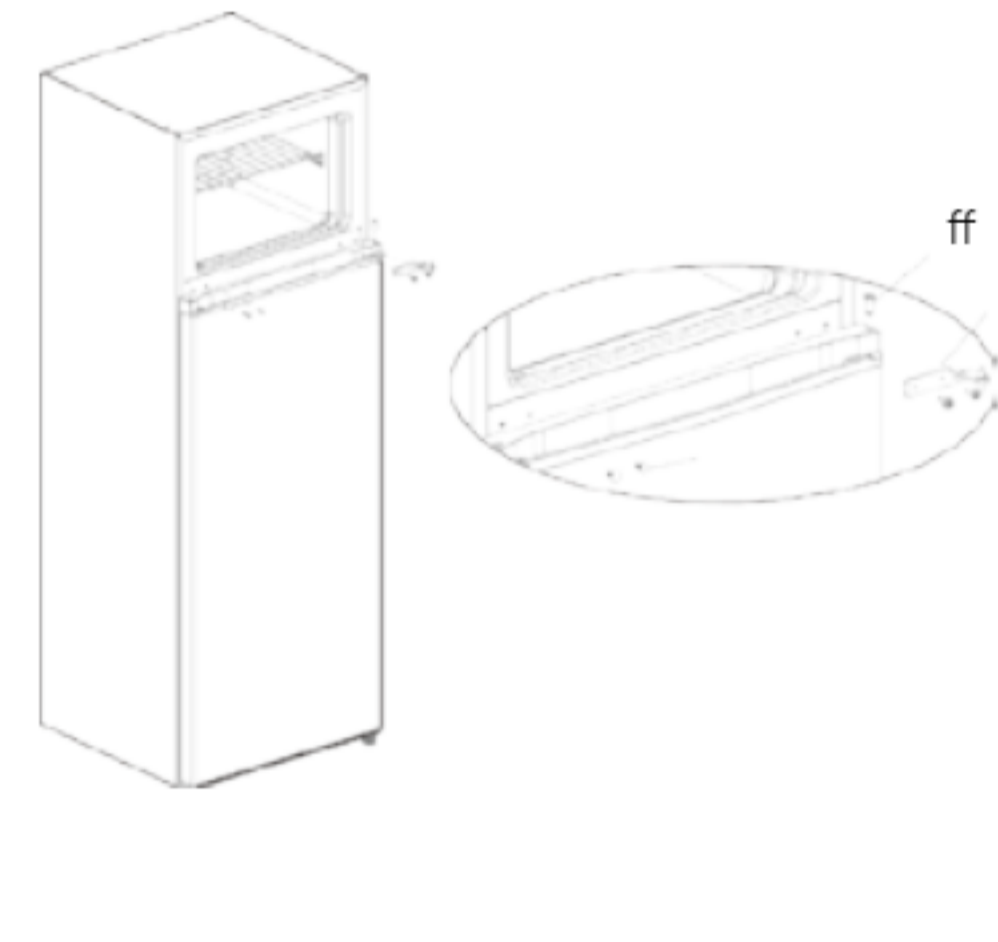
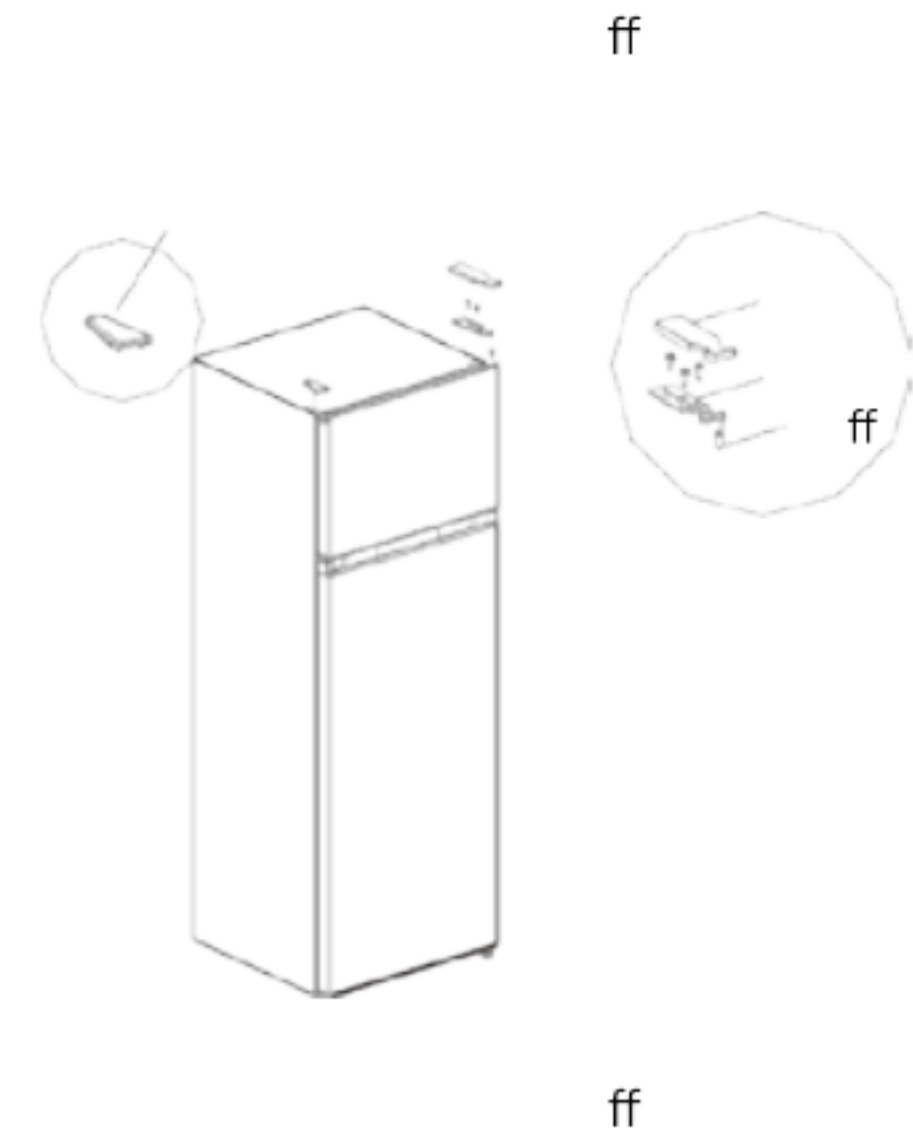
---

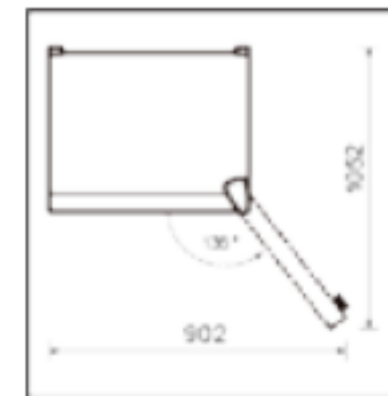
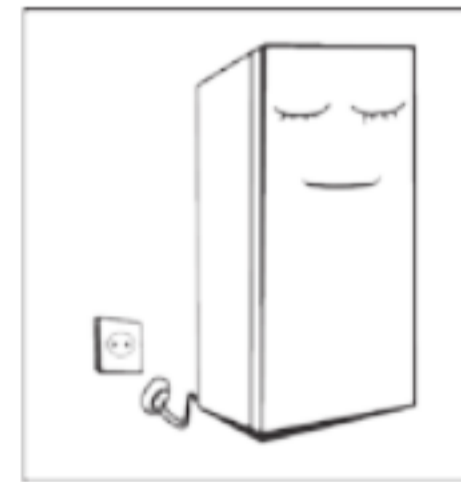
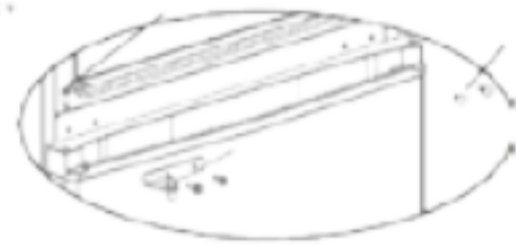
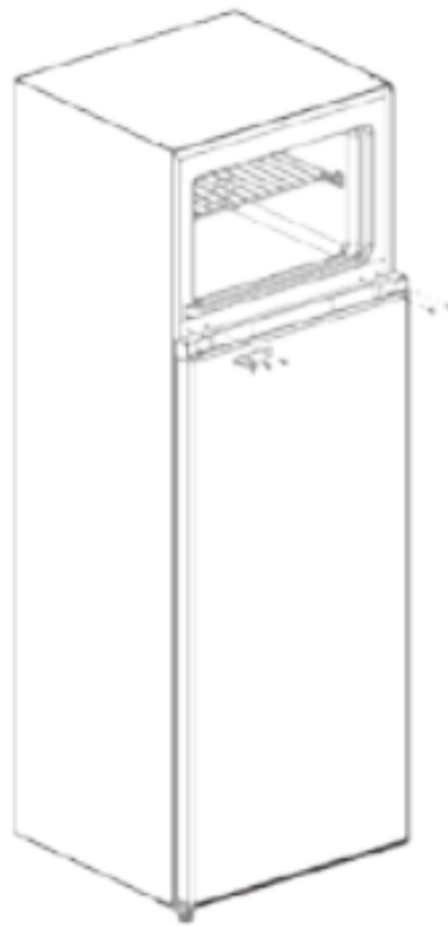
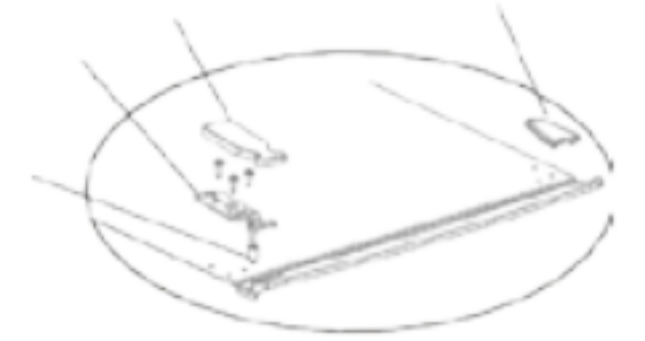
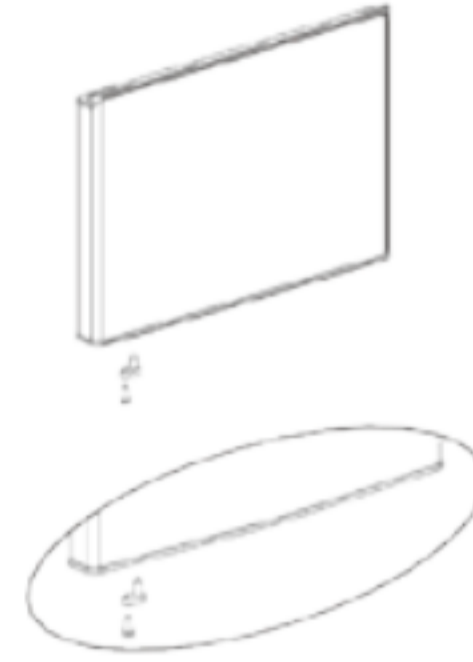
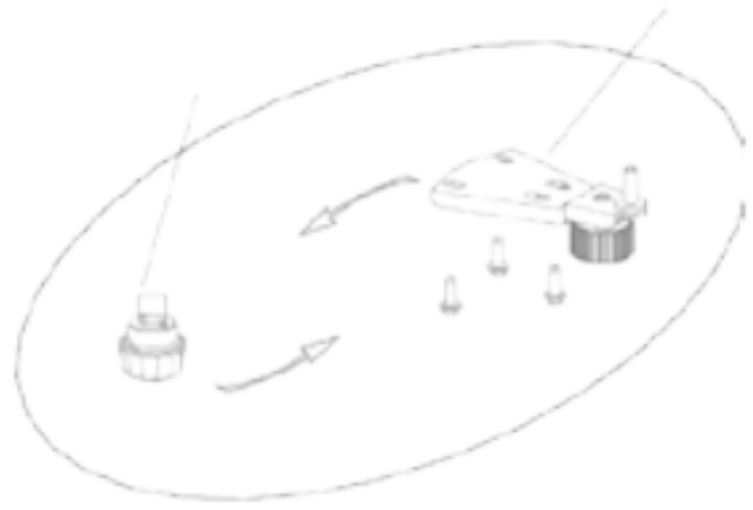


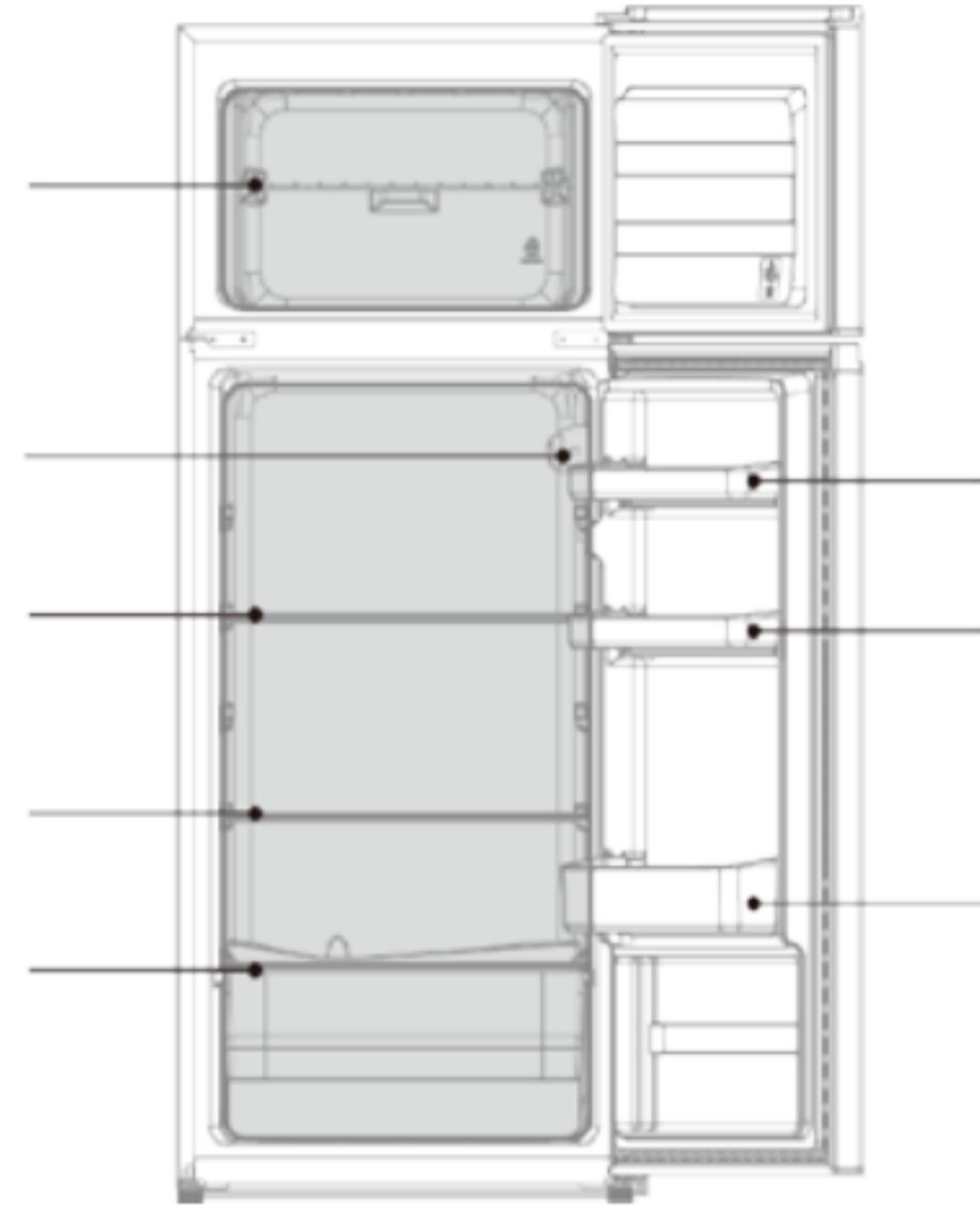










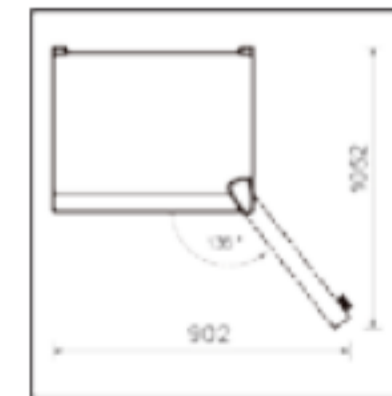
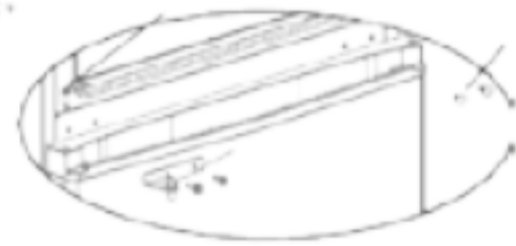
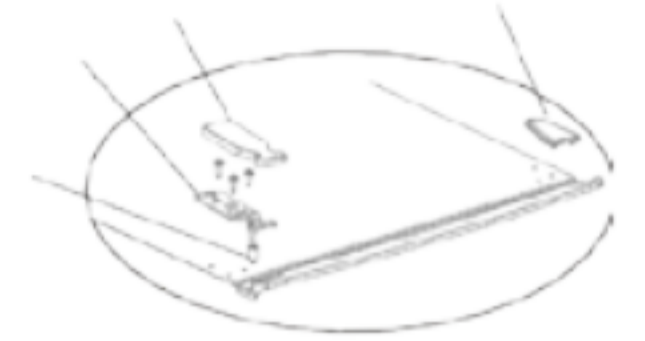
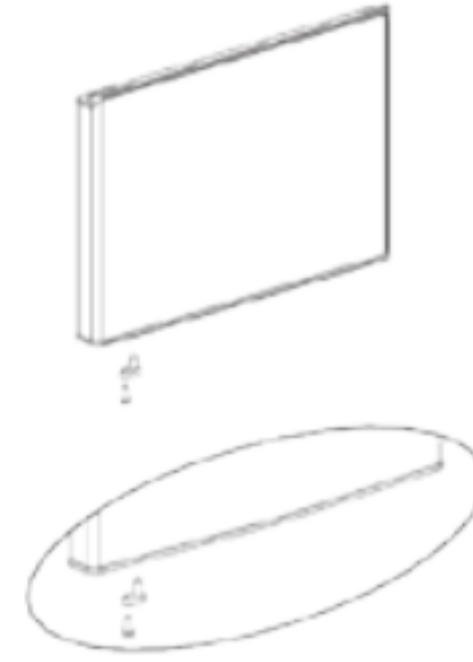
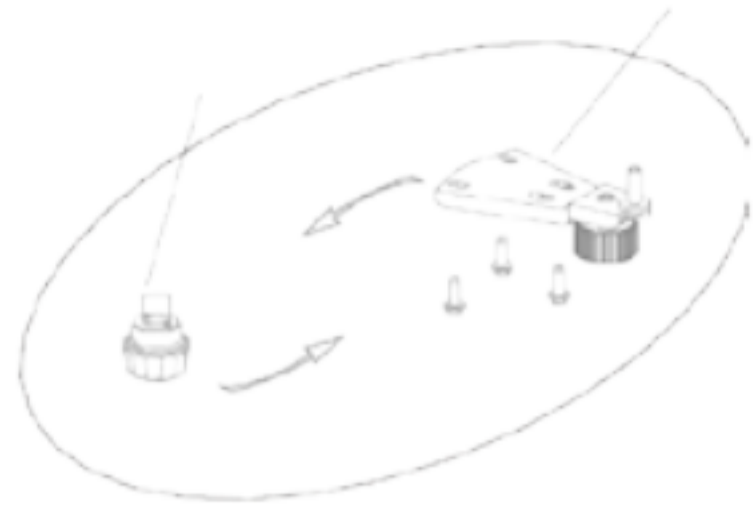


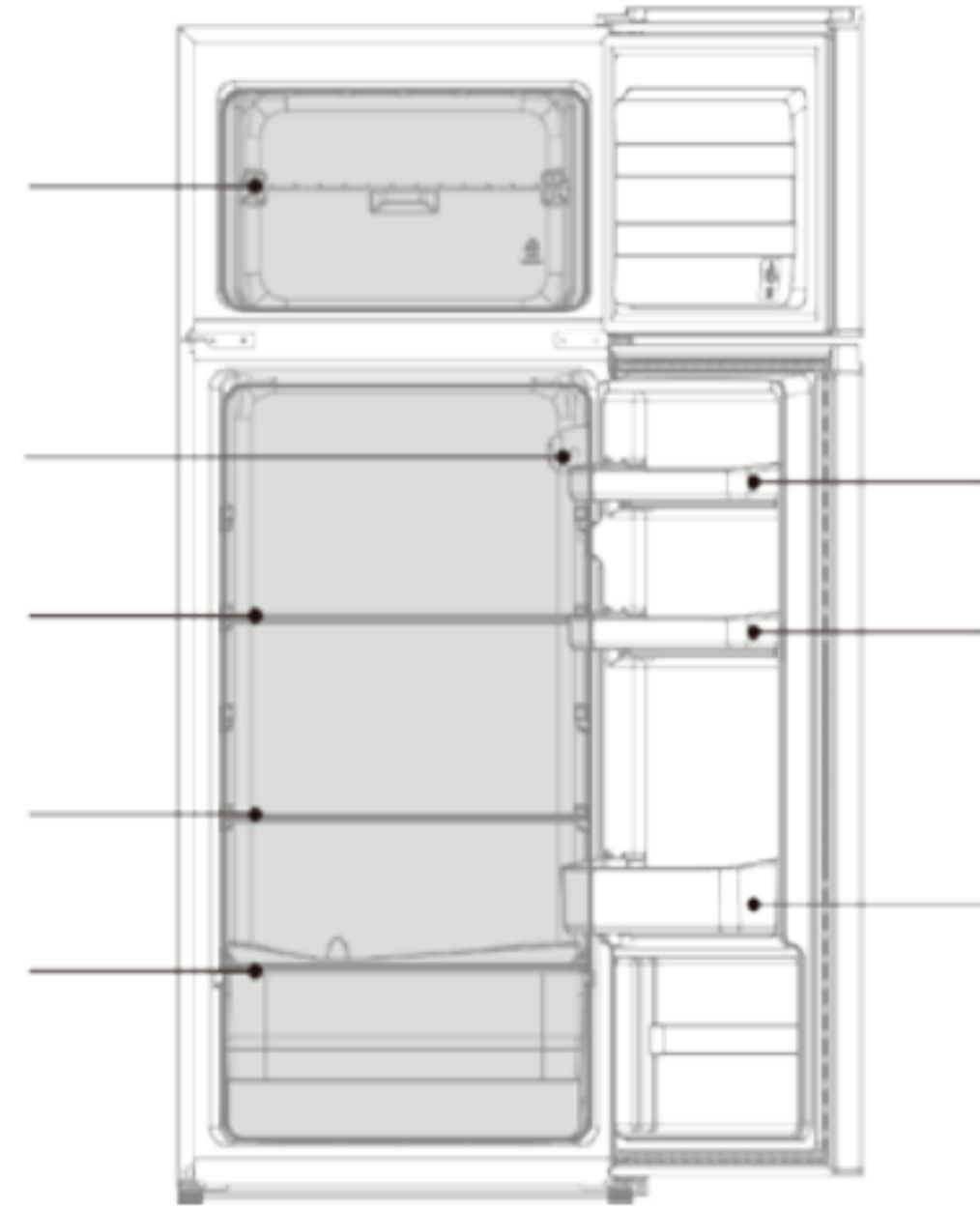
**fi**

	fb
	fk
	fk
	fi
fi	


fi









fi



fi

